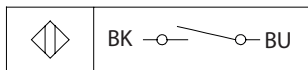


Magnetic Switch Series MAK-11

Description **MAK-1112-B-5**

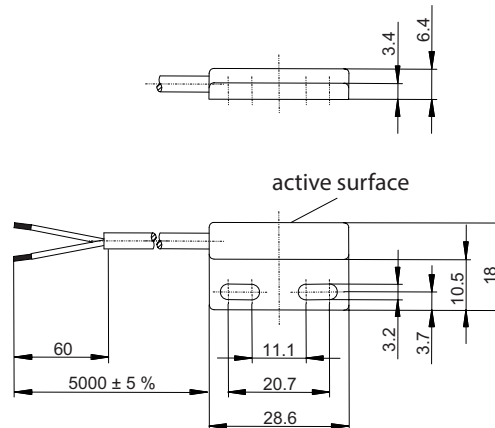
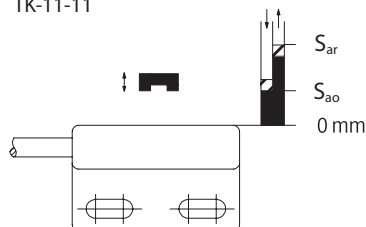
Article number **6411211384**

Wiring diagram



Actuation movement / sensing distance:

TK-11-11



Technical data

Switching function	N.O.
Reference magnet	TK-11-11 (6302111047)
Assured operating distance - ON	$S_{ao} \geq 10 \text{ mm}$
Assured operating distance - OFF	$S_{ar} \leq 22 \text{ mm}$
Repeat accuracy	R $\pm 0,1 \text{ mm}$, under same geometrical conditions at the same temperature

Electrical data

Max. voltage	230 V AC/DC
Max. switching current	0,5 A
Max. switching capacity	10 VA
Protection class acc. to EN 61140	II (totally insulated)
Note	Combinations of switching voltage and switching current must not exceed the maximum switching capacity.

Mechanical data

Enclosure	PA 6.6, black; encapsulated reed contact
Temperature range	- 5 °C ... + 70 °C (cable not fixed mounted) - 25 °C ... + 70 °C (cable fixed mounted)
Mechanical life	3×10^8 switchings
Shock Vibration	50 g (11 ms / ½ Sinewave)
Vibration	35 g (10 - 1000 Hz)
Protection type	IP67 acc. EN 60529
Termination type	Cable $2 \times 0,14 \text{ mm}^2 \times 5 \text{ m}$; PVC -outer jacket black
Assembly position	optional (assembly on ferromagnetic material means reduction of switch distance)

ID for safety engineering	
B10d	max. load 0,6 x 10 ⁶ switchings
Standards	
	EN 60947-5-1
	EN 62246-1
	DIN EN ISO 13849-1
EU Conformity	
	acc. to directive 2014/35/EU (Low-Voltage-Directive)
Notes	
Please observe contact protection for inductive loads.	