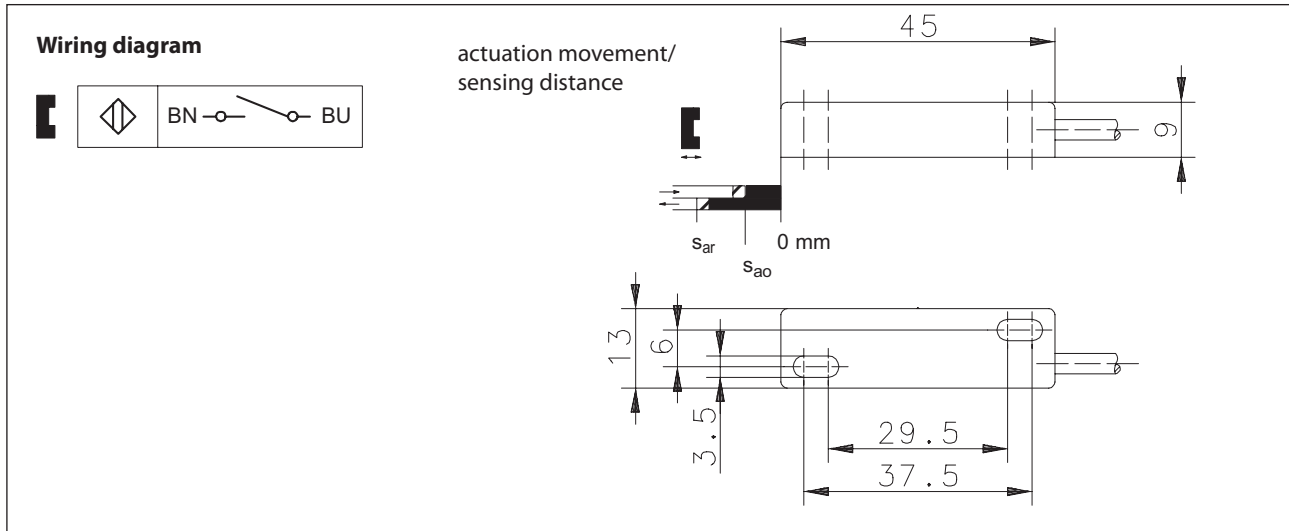


Magnetic Switch Series MA-01

Description **MAK-0112-B-5**

Article number **6411201408**



Technical data

Switching function	N.O.	
Reference magnet	T-67 N/S (6301167054)	
Assured operating distance - ON	S_a	≥ 10 mm
Assured operating distance - OFF	S_{ar}	≤ 39 mm
Repeat accuracy	R	$\pm 0,1$ mm, under same geometrical conditions at the same temperature

Electrical data

Max. voltage	230 V AC / DC
Max. switching current	1,0 A
Max. switching capacity	60 VA
Protection class acc. to EN 61140	II (totally insulated)
Note	Combinations of switching voltage and switching current must not exceed the maximum switching capacity.

Mechanical data

Enclosure	PA6.6, black
Temperature range	- 5 °C ... + 70 °C
Mechanical life	3×10^8 operating cycles
Shock Vibration	50 g (11 ms / ½ Sinewave)
Vibration	35 g (10 - 1000 Hz)
Protection type	IP 67 acc. to EN 60529
Termination type	Cable 2 x 0,34 mm ² x 5 m ± 5 %; PVC -outer jacket black
Assembly position	optional (assembly on ferromagnetic material means reduction of switch distance)

ID for safety engineering	
B10d	0,6 x 10 ⁶ cycles (max. load)
Standards	
	EN 60947-5-1
	EN 62246-1
EU Conformity	
	acc. to directive 2014/35/EU (Low-Voltage-Directive)
Notes	
Contact protection must be provided for inductive and capacitive loads.	