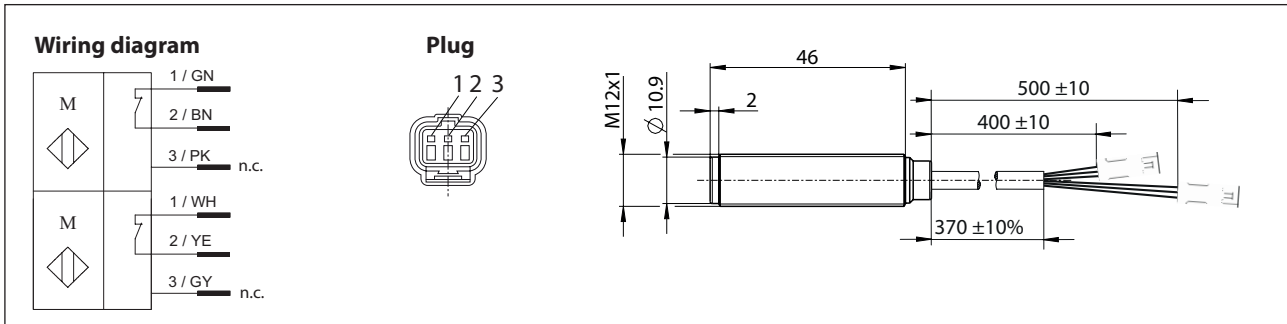


Magnetic Sensor Series M12

Description **MAK-M122Ö/H45-0,5S**

Article number **6411162721**



Technical data

Switching function	2 x N.C.
Reference magnet	T-62 N/S (6301262039)
Assured operating distance - EIN	S_{ao} 15 mm
Assured operating distance - AUS	S_{ar} 33 mm
Repeat accuracy	R $\pm 0,1$ mm, under same geometrical conditions at the same temperature
Utilization category	DC-12
Frequency of operating cycles	f 1 Hz

Electrical data

max. switching voltage	30 V AC/DC
max. switching current	0,5 A
max. switching capacity	10 VA
Protection class acc. to EN IEC 61558	III (safety extra-low voltage)
Note	Combinations of switching voltage and switching current must not exceed the maximum switching capacity.

Mechanical data

Enclosure	PA6
End cap	PA 12, transparent
Ambient air temperature	-25 °C ... +70 °C (cabel fixed mounted)
Mechanical lifetime	3 x 10 ⁸ switchings
Shock	50 g (11 ms / ½ Sinewave)
Vibration	20 g (10 - 1000 Hz)
Protection class	IP 67 acc. to IEC 529, EN 60529 (only sensor)
Connection	Cable 6 x 0,34 mm ² x 0,5 m; PVC-Outer jacket, gray with 2 x JST-plug connector, serie JWPF (pin contacts)

Standards
EN 60947-5-1
EN 62246-1
EU Conformity
acc. to directive 2011/65/EU (RoHS-II)
Special characteristic
To achieve the degree of protection IP67 according to EN 60529, the wire ends and connectors must be protected by an appropriate housing.