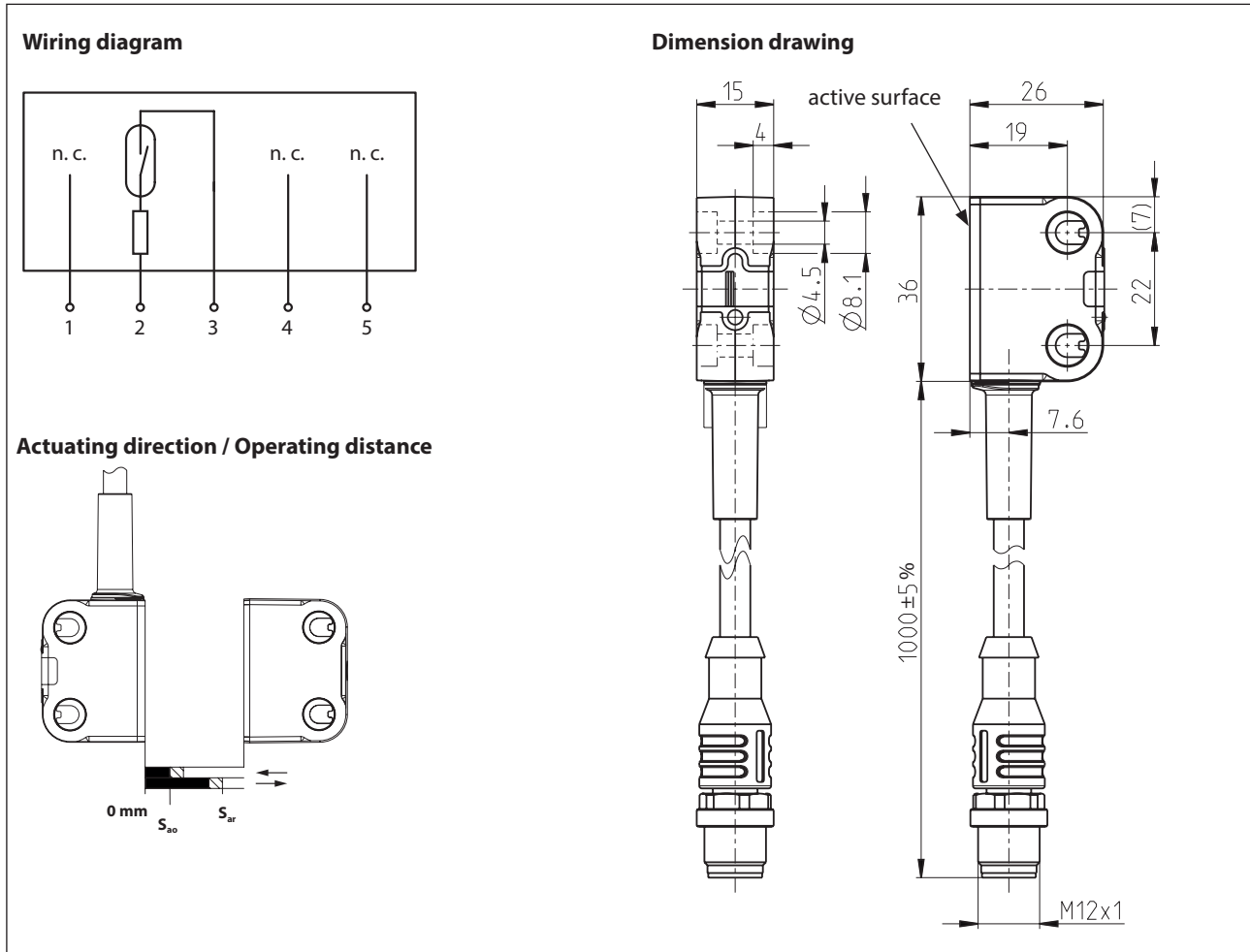


Magnetic Switch Series MAK-54

Description **MAK-5412-C-1-M12**

Article number **6410254725**



Technical data	
Switching function	1 x NO
Reference magnet	TK-54 (6302054085)
Assured operating distance - ON	S_{ao} $4 \text{ mm} \leq S_{ao} \leq 7 \text{ mm}$
Assured operating distance - OFF	S_{ar} $\leq 15 \text{ mm}$
Repeat accuracy	R $\pm 0,1 \text{ mm}$, under same geometrical conditions at the same temperature
Utilization category	DC-12
Frequency of operating cycles	f 1 Hz

Electrical data	
Max. voltage	30 V DC
Max. switching current	0,08 A
Max. switching capacity	0,25 W
Internal series resistor	27 Ω
Protection class acc. to EN IEC 61558	III (safety extra-low voltage)
Note	Combinations of switching voltage and switching current must not exceed the maximum switching capacity.

Mechanical data	
Enclosure	PA66 + PA6, black; encapsulated reed contact
Tension relief	TPE, black
Mounting	2 holes Ø 4,5 (for M4 screws)
Temperature range	- 5 °C ... + 70 °C (cable not fixed mounted) - 25 °C ... + 70 °C (cable fixed mounted)
Mechanical life	3 x 10 ⁸ operating cycles
Vibration	10 G (10 - 1200 Hz)
Shock	100 G (11 ms, ½ Sinewave)
Protection type	IP 69 acc. to EN 60529 (only when plugged in with the corresponding counterpart)
Pollution degree	3 acc. to EN 60947-1
Termination type	Cable 5 x 0,34 mm ² , PUR-Outer jacket with plug connector M12 male, 5-pole, A coded
Assembly position	optional (assembly on ferromagnetic material means reduction of switch distance)

ID for safety engineering	
B10d	20 x 10 ⁶ cycles (20 % load) 0,4 x 10 ⁶ cycles (nominal load)
Mission time	20 years

EG Conformity	
acc. to directive 2011/65/EU (RoHS-directive)	

Notes	
Contact protection must be provided for inductive and capacitive loads.	