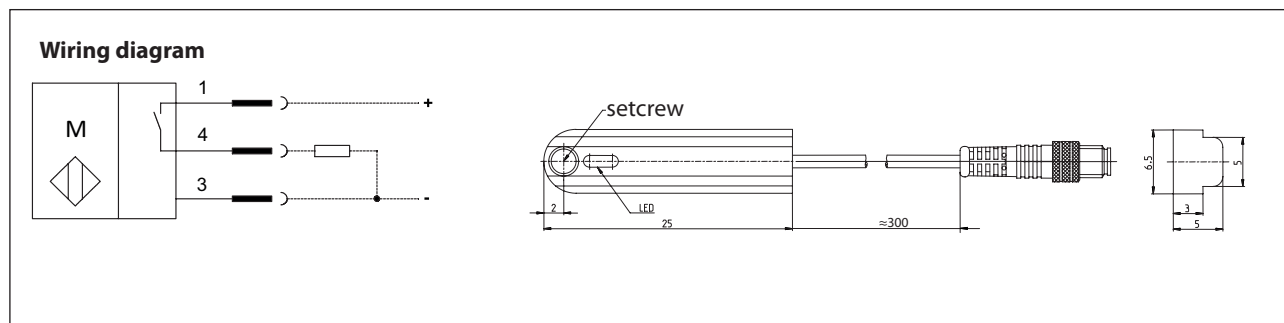


## Electronic Magnetic Sensors Series E30

Description **MEA-E30PS/H03-KL0,3S8**

Article number **6372299176**



### Identifying characteristics in accordance with EN 60947-5-2

Electrical data	
Magnetic sensitivity	3 mT (south switching)
Switching element function	DC, N.O., open collector
Repeat accuracy	R ≤ 0,1 mT (constant $U_B$ and ambient air temperature)
Max. frequency of operating cycles	f 10 Hz
Differential travel (hysteresis)	H 0,8 mT
Operational voltage range	$U_B$ 8 – 30 V DC
Rated insulation voltage	$U_i$ 75 V DC
Voltage drop	$U_d$ < 2,5 V @ 150 mA
Utilization category	DC-12
Rated operational current	$I_e$ ≤ 150 mA
Leakage current	< 100 $\mu$ A
No-load supply current	$I_o$ < 5 mA (not actuated)
Switching element	Hall
Short-circuit protection	yes
Mounting	from side into a T-Groove
False polarity protection	yes

Mechanical data	
Enclosure	AlMgSi0,5 (aluminium)
Ambient air temperature	-20 °C ... +80 °C (cable fixed mounted)
Type of protection	IP 67 acc. to EN 60529 (only in fully locked position with it's plugs)
Function indication	LED yellow, output indication / output activated
Termination type	Cable 0,3 m $\pm$ 5 %, PUR - Outer jacket, with plug connector M8
Attachment	1 x setscrew M3 x 6, DIN913

EU Conformity	
acc. to directive 2014/30/EU (EMC-Directive)	