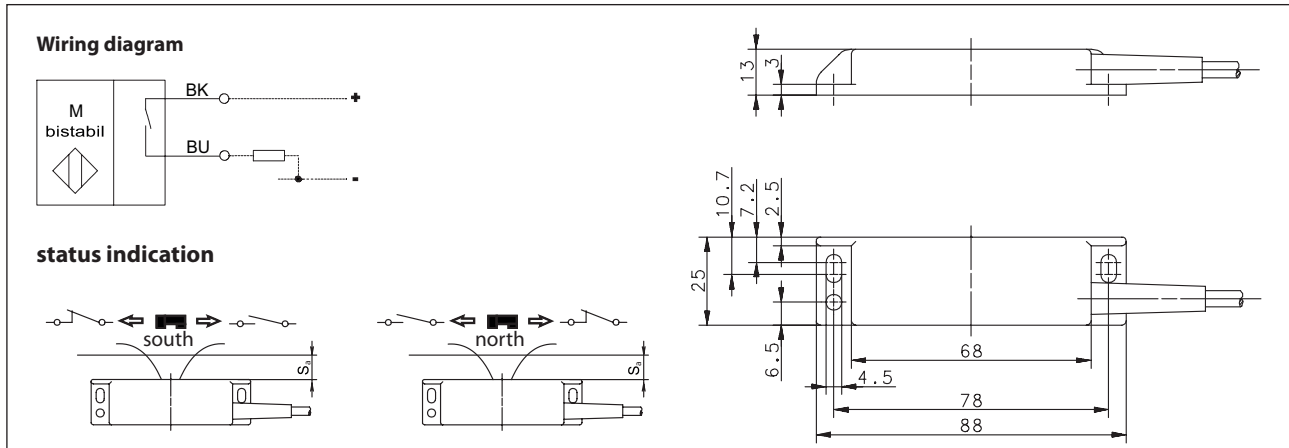


Magnetic Sensor Series E90

Description **MEK-E90PB/M03-1**

Article number **6370442204**



Technical data

Switching function	bistable "N.O.-N.C."	
Switching element	GMR typ. 3 mT	
Reference magnet	TK-62 N/S (6301262039)	
Assured operating distance	S_a	2 ... 18 mm
Repeat accuracy	R	$\pm 0,1$ mm, under same geometrical conditions at the same temperature
Time delay before availability	t_v	max. 1 s
Utilization category	DC-13	
Frequency of operating cycles	f	20 Hz
Short-circuit protection	no	
False polarity protection	yes	

Electrical data

Operational voltage range	U_B	10-60 V DC
Voltage drop	U_d	$\leq 4,5$ V
Rated operational current	I_e	200 mA
Minimum operating current	I_m	≥ 2 mA
No-load supply current	I_o	≤ 1 mA
Protection class acc. to EN IEC 61558	III (safety extra-low voltage)	

Mechanical data

Enclosure	PA6.6, black	
Temperature range	- 5 °C ... + 70 °C (cable not fixed mounted) - 25 °C ... + 70 °C (cable fixed mounted)	
Shock and Swing	acc. to EN IEC 60947-5-2	
Protection type	IP 67 acc. to EN 60529	
Termination type	Cable 2 x 0,5 mm ² x 1 m \pm 5 %, PVC - Outer jacket, black	
Assembly position	optional (assembly on ferromagnetic material means reduction of switch distance)	

BERNSTEIN AG · Hans-Bernstein-Straße 1 · 32457 Porta Westfalica · www.bernstein.eu

Technical modifications and errors excepted.

The technical datasheet corresponds to the technical state as of 2021-05-25 and will not be removed in case of changes.

Standards	
	EN 60947-5-2
Product reliability (in acc. with DIN EN 61709 (SN 29500))	
MTTF	> 1600 years (Confidence level (CL) 60 % and average ambient temperature 40°C)
EU Conformity	
	acc. to directive 2014/30/EU (EMC-Directive)