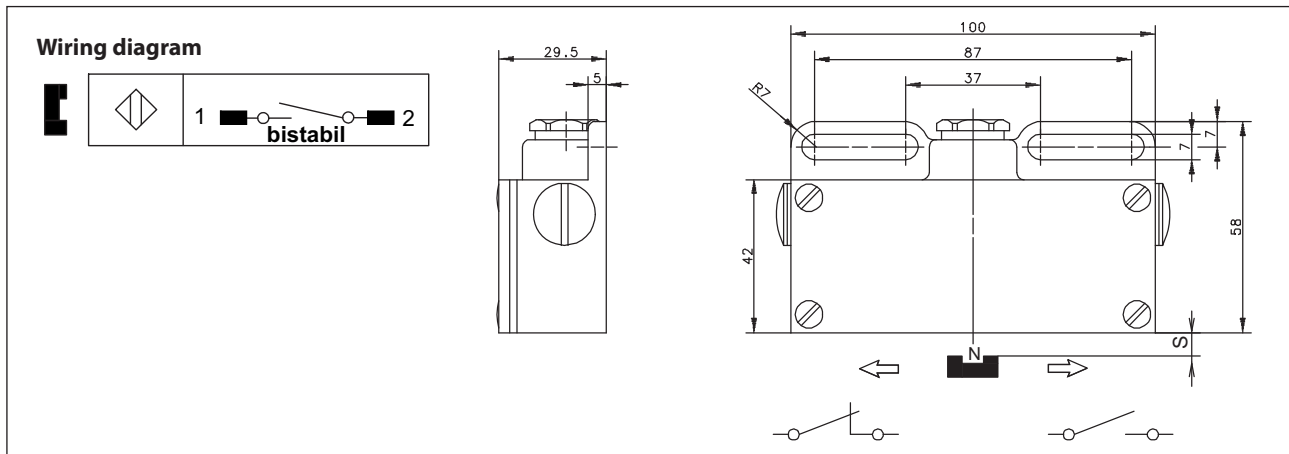


Magnetic Switch Series MA-03

Description **MAA-0314-A**

Article number **6319403677**




Identifying characteristics in accordance with EN 60947-5-1 and EN 62246-1

Electrical data	
Switching element function	bistable "N.O.-N.C."
Assured operating distance	S 15 mm
Reference magnet	T-62 N/S
Max. switching voltage	250 V AC / DC
Max. switching current	3 A
Max. switching capacity	120 VA
Mechanical lifetime	3x10 ⁸ switchings, however, according to load resetability
Repeat accuracy	R ± 0,1 mm under same geometrical conditions at the same temperature
Shock	50 g (11 ms, ½ sine wave)
Vibration	35 g (10 - 1000 Hz)

Mechanical data	
Enclosure	GD-AISI12 (3.2582.05), with PG11 cable inlets and 2 x pegs (PG9)
Ambient air temperature	-15 °C ... +70 °C
Type of protection	IP65 according to IEC 529, EN 60529
Termination type	Screw terminals for wires ≤1,5 mm ²
Assembly position	optional (assembly on iron means reduction of switch distance)

EU Conformity	
acc. to directive 2004 / 108 / EC	

Approvals	
	UL Listed, Ind. Cont. Eq. / Class 2 Power source
	Note limited electrical data:
	max. switching voltage 30 V AC / 60 V DC
	max. switching current 2 A
	max. switching capacity 100 VA

Pay attention to the contact protection when switching inductive loads.