

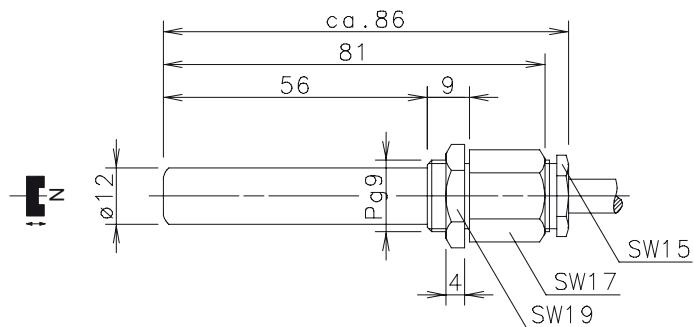
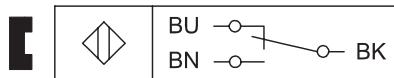
Magnetic switch

Series MA-06

Description **MAA-0613-M-6**

Article number **6317306524**

Wiring diagramm



Technical data

Switching function	C.O.	
Reference magnet	TK-62 N/S	
Assured operating distance - ON	S_a	≥ 6 mm
Assured operating distance - OFF	S_{ar}	≤ 27 mm
Repeat accuracy	R	$\pm 0,1$ mm, under same geometrical conditions at the same temperature

Electrical data

Max. voltage	230 V AC / DC	
Max. switching current	1,0 A	
Max. switching capacity	60 VA	
Protection class acc. to EN IEC 61558	II (totally insulated)	
Note	Combinations of switching voltage and switching current must not exceed the maximum switching capacity.	

Mechanical data

Enclosure	Al / CuZn; encapsulated reed contact	
Temperature range	- 5 °C ... + 70 °C	
Mechanical life	3 x 10 ⁸ operating cycles	
Shock Vibration	50 g (11 ms / ½ Sinewave)	
Vibration	35 g (10 - 1000 Hz)	
Protection type	IP 67 acc. to EN 60529	
Termination type	Cable 4 x 0,75 mm ² x 6 m ± 5 %; PVC -outer jacket black	
Assembly position	optional (assembly on ferromagnetic material means reduction of switch distance)	

Standards
EN 60947-5-1
EN 62246-1

EU Conformity
acc. to directive 2014/35/EU (Low-Voltage-Directive)

Notes
Contact protection must be provided for inductive and capacitive loads.