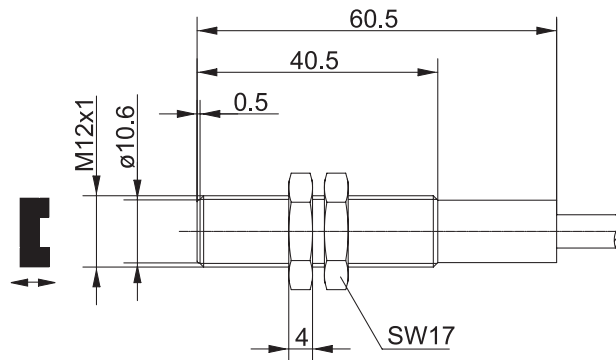
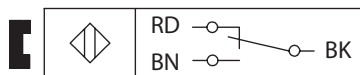


## Magnetic Switch Series MA-18

Description **MAM-1813-D-1**

Article number **6316318729**

### Wiring diagram



### Technical data

Switching function	C.O.
Reference magnet	T-62 N/S (6301262039)
Assured operating distance - ON	$S_{ao} \geq 29 \text{ mm}$
Assured operating distance - OFF	$S_{ar} \leq 40 \text{ mm}$
Repeat accuracy	R $\pm 0,1 \text{ mm}$ , under same geometrical conditions at the same temperature
Utilization category	DC-12


### Electrical data

Max. voltage	125 V AC / 175 V DC
Max. switching current	280 mA AC / 400 mA DC
Max. switching capacity	5 VA
Protection class acc. to EN IEC 61140	II (totally insulated)
Note	Combinations of switching voltage and switching current must not exceed the maximum switching capacity.

Mechanical data	
Enclosure	CuZn39Pb3; encapsulated reed contact
Front cap	PA 6.6, black
Temperature range	- 5 °C ... + 70 °C (cable not fixed mounted)
Mechanical life	3 x 10 <sup>8</sup> operating cycles
Protection type	IP 67 acc. to EN 60529
Termination type	Cable 3 x AWG20 x 1 m ± 5% ; PVC - Outer jacket, black
Assembly position	optional (assembly on ferromagnetic material means reduction of switch distance)
For attachment	2 x hexagon nut; brass, nickel plated

Standards	
	EN 60947-5-1
	EN 62246-1

EU Conformity	
	acc. to directive 2014/35/EU (Low-Voltage-Directive)

Approvals	
	
	UL Listed, Ind. Cont. Eq. / Class 2 Power source
	<b>Note limited electrical data:</b>
	max. switching voltage 30 V AC / 60V DC
	max. switching current 0,25 A
	max. switching capacity 5 VA

Notes	
	Contact protection must be provided for inductive and capacitive loads.