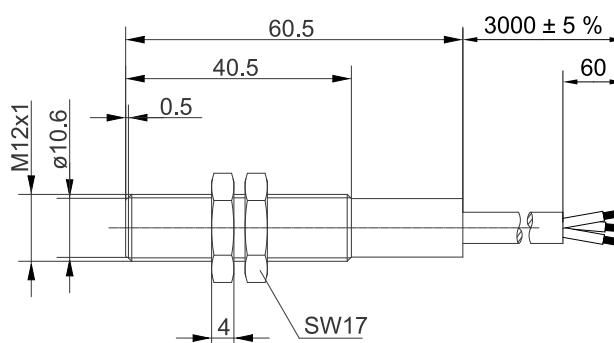
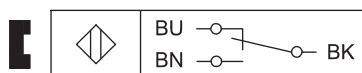


Magnetic Switch Series MA-18

Description **MAM-1813-L-3**

Article number **6316318653**

Wiring diagram



Identifying characteristics in accordance with EN 60947-5-2 and EN 62246-1

Elektrische Daten		
Assured operating distance	S_a	10 mm
Switching element function		change over
Reed contact	max. switching voltage	250 V
	max. switching current	1 A
	max. switching capacity	60 VA
	min. switching capacity	3 VA
	mechanical lifetime	3 x 10 ⁸ switchings, however, according to load resetability
Repeat accuracy	R	± 0,1 mm, under same geometrical conditions at the same temperature
Max. Release point		15 mm
Shock		10 g (11 ms, ½ Sinevawe)
Vibration		15 g (50 - 2000 Hz)
Corresponding magnet		T-62 N/S

Mechanical data	
Enclosure	Brass, nickel plated
Front cap	PA 6.6, black
Ambient air temperature	-5 °C bis +70 °C
Type of protection	IP 67 acc. to EN 60529
Termination type	cable 3 x 0,5 mm ² ; PVC-Outer jacket, black
Assembly position	optional (assembly on iron means reduction of switch distance)
For attachment	2 x hexagon nut; brass, nickel plated

EU Conformity
acc. to directive 2006/95/EC