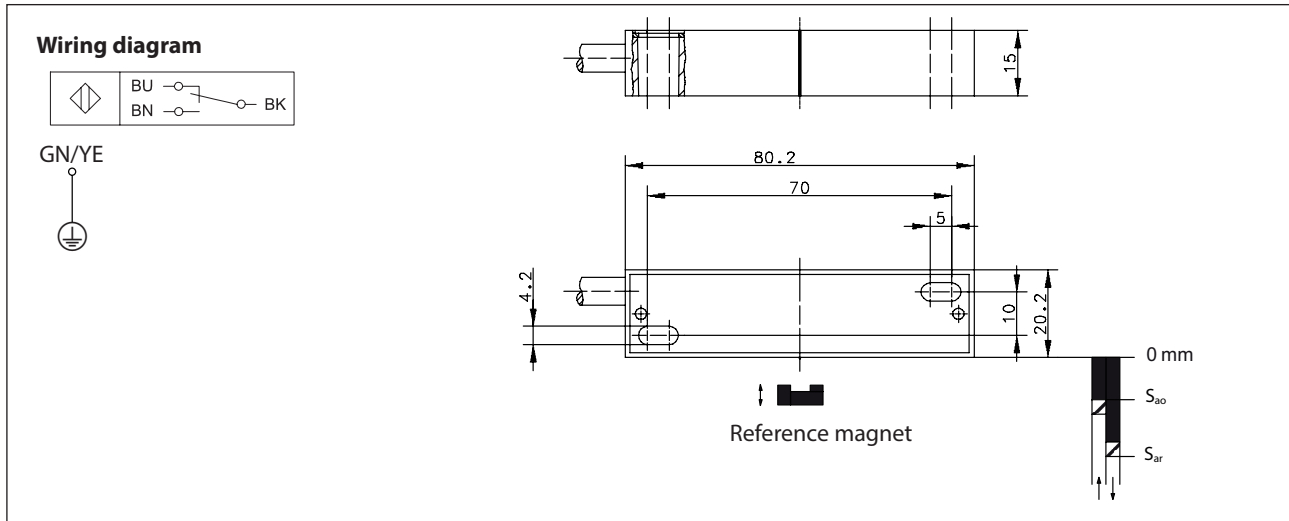


Magnetic Switch Series MA-02

Description **MAA-0213-LT-3**

Article number **6316302604**



Technical data		
Switching function	Switch-Over	
Reference magnet	TA-21-02 (6305121064)	
Assured operating distance - ON	S_{ao}	30 mm
Assured operating distance - OFF	S_{ar}	70 mm
Repeat accuracy	R	$\pm 0,1$ mm, under same geometrical conditions at the same temperature
Utilization category	DC-12	
Frequency of operating cycles	f	1 Hz

Electrical data	
Max. switching voltage	250 V
Max. switching current	1 A
Max. switching capacity	60 VA
Protection class	I
Note	Combinations of switching voltage and switching current must not exceed the maximum switching capacity.

Mechanical data	
Enclosure	GDAISI 12, red; encapsulated reed contact
Ambient air temperature	-40 °C ... $+150$ °C
Mechanical lifetime	3×10^8 switchings
Vibration	35 G (10 - 1000 Hz)
Shock	50 G (11 ms, $\frac{1}{2}$ Sinewave)
Type of protection	IP67 according to IEC 529, EN 60529
Termination type	Cable 4 x 0,75 mm ² x 3 m $\pm 5\%$; SIL-Outer jacket, black
Assembly position	optional (assembly on iron means reduction of switch distance)

Standards
EN 62246-1
EN 60947-5-1
EU Conformity
acc. to directive 2014/35/EU (Low-Voltage-Directive)
Notes
Contact protection must be provided for inductive and capacitive loads.