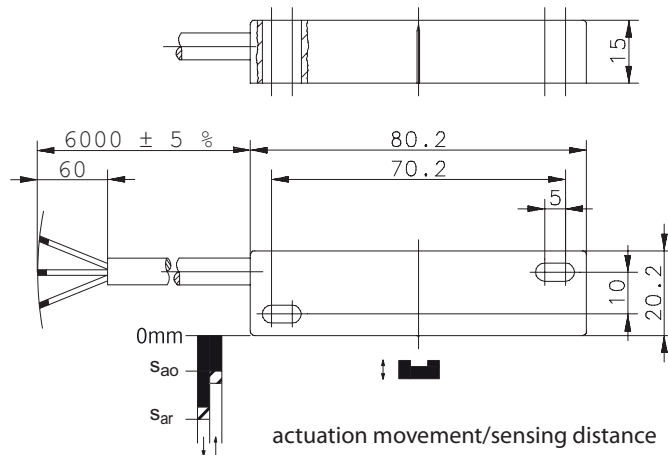
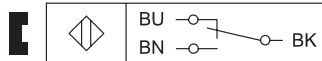


Magnetic Switch Series MA-02

Description **MAK-0213-K-6**

Article number **6315302340**

Wiring diagram



Technical data

Switching function	C.O.
Reference magnet	TK-21-02 (6303121002)
Assured operating distance - ON	$S_{ao} \leq 18 \text{ mm}$
Assured operating distance - OFF	$S_{ar} \geq 60 \text{ mm}$
Repeat accuracy	R $\pm 0,1 \text{ mm}$, under same geometrical conditions at the same temperature

Electrical data

Max. voltage	250 V AC / DC
Max. switching current	0,5 A
Max. switching capacity	30 VA
Protection class acc. to EN 61140	II (totally insulated)
Note	Combinations of switching voltage and switching current must not exceed the maximum switching capacity.

Mechanical data

Enclosure	PA6.6, black
Temperature range	- 5 °C ... + 70 °C (cable not fixed mounted) - 25 °C ... + 70 °C (cable fixed mounted)
Mechanical life	3 x 10 ⁸ operating cycles
Shock Vibration	10 g (11 ms / ½ Sinewave)
Vibration	1±5 g (10 - 1000 Hz)
Protection type	IP 67 acc. to EN 60529
Termination type	Cable 3 x 0,75 mm ² ; PVC -outer jacket black
Assembly position	optional (assembly on ferromagnetic material means reduction of switch distance)

Standards	
	EN 60947-5-1
	EN 62246-1

EU Conformity	
	acc. to directive 2014/35/EU (Low-Voltage-Directive)

Notes	
	Contact protection must be provided for inductive and capacitive loads.