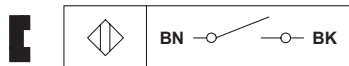


Magnetic Switch Series MA-33

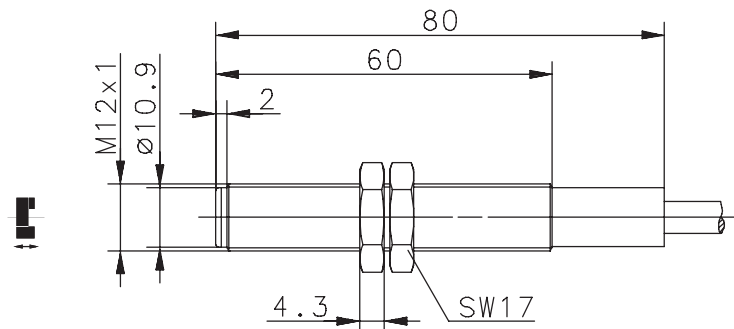
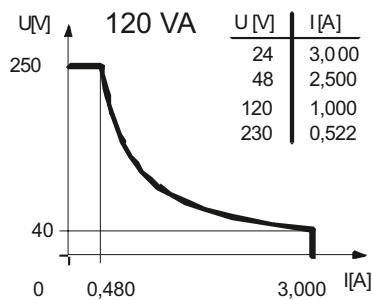
Description **MAK-3312-A-2**

Article number **6314233708**

Wiring diagram



Switching diagram



Technical data

Switching function	N.O.
Reference magnet	T-62 N/S (6301262074)
Assured operating distance - ON	S_{ao} 7 mm
Assured operating distance - OFF	S_{ar} 28 mm
Repeat accuracy	R $\pm 0,1$ mm, under same geometrical conditions at the same temperature
Utilization category	DC-12

Electrical data


Max. voltage	250V AC/DC
Max. switching current	3A
Max. switching capacity	120 VA
Rated insulation voltage	U_i 250V AC/DC
Overvoltage category	III acc. EN 60947-1 annex H table H1
Protection class acc. to EN 61140	II (totally insulated)
Note	Combinations of switching voltage and switching current must not exceed the maximum switching capacity.

Mechanical data	
Enclosure	PA 6, red; encapsulated reed contact
Ambient temperature	-5°C to +70°C (cable moved) -25°C to +70°C (cable fixed)
Pollution degree	3 (acc. EN 60947-1)
Mechanical life	3 x 10 ⁸ operating cycles
Shock	50 g (11 ms, ½ Sinevawe)
Vibration	35 g (10 - 1000 Hz)
Protection type	IP67 acc. EN 60529
Termination type	Cable 2 x AWG 20 x 2 m ± 5 %; PVC -outer jacket black
Assembly position	optional (assembly on ferromagnetic material means reduction of switch distance)

ID for safety engineering	
B10d	0,6 x 10 ⁶ cycles (max. load)

Standards	
	EN 60947-5-1
	EN 62246-1

EU Conformity	
	acc. to directive 2014/35/EU (Low-Voltage-Directive)

Approvals	
	
	UL Listed, Ind. Cont. Eq. / Class 2 Power source
	Note limited electrical data:
	max. switching voltage 30 V AC / 60 V DC
	max. switching current 2 A
	max. switching capacity 100 VA

Notes	
	Contact protection must be provided for inductive and capacitive loads.