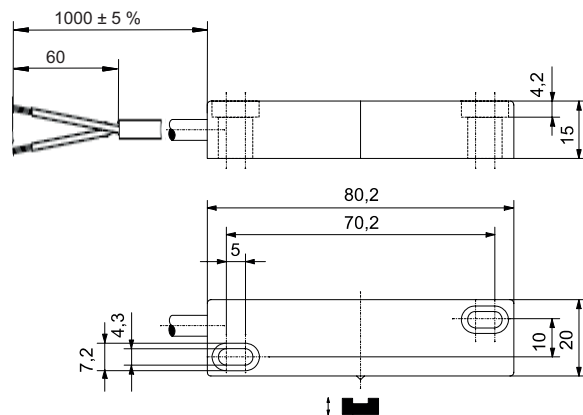


## Magnetic Switch Series MA-12

Description **MAK-1212-A-1**

Article number **6314212695**

### Wiring diagram




### Identifying characteristics in accordance with EN 60947-5-1 and EN 62246-1

Electrical data		
Assured operating distance	$S_a$	21 mm
Output function		N.O.
Max. switching voltage		250 V AC / DC
Max. switching current		3 A
Max. switching capacity		120 VA
Mechanical lifetime		$3 \times 10^8$ switchings
Repeat accuracy	R	$\pm 0,1$ mm, under same geometrical conditions at the same temperature
Max. Release point		50 mm
Shock		50 g (11 ms, ½ Sinus wave)
Vibration		35 g (10 – 1000 Hz)
Corresponding magnets		TK-21-12

Mechanical data	
Enclosure	PA6.6, red; encapsulated reed contact
Ambient air temperature	-5 °C ... +70 °C
Type of protection	IP 67 acc. to EN 60529
Termination type	Cable 2 x AWG 20; PVC – Outer jacket, black
Assembly position	optional (assembly on iron means reduction of switch distance)

EU Conformity	
	acc. to directive 2014/30/EU (EMC-Directive)

Approvals	
	 <p>UL Listed, Ind. Cont. Eq. / Class 2 Power source  <b>Note limited electrical data:</b>                      max. switching voltage 30 V AC / 60V DC                      max. switching current 2 A                      max. switching capacity 100 VA</p>