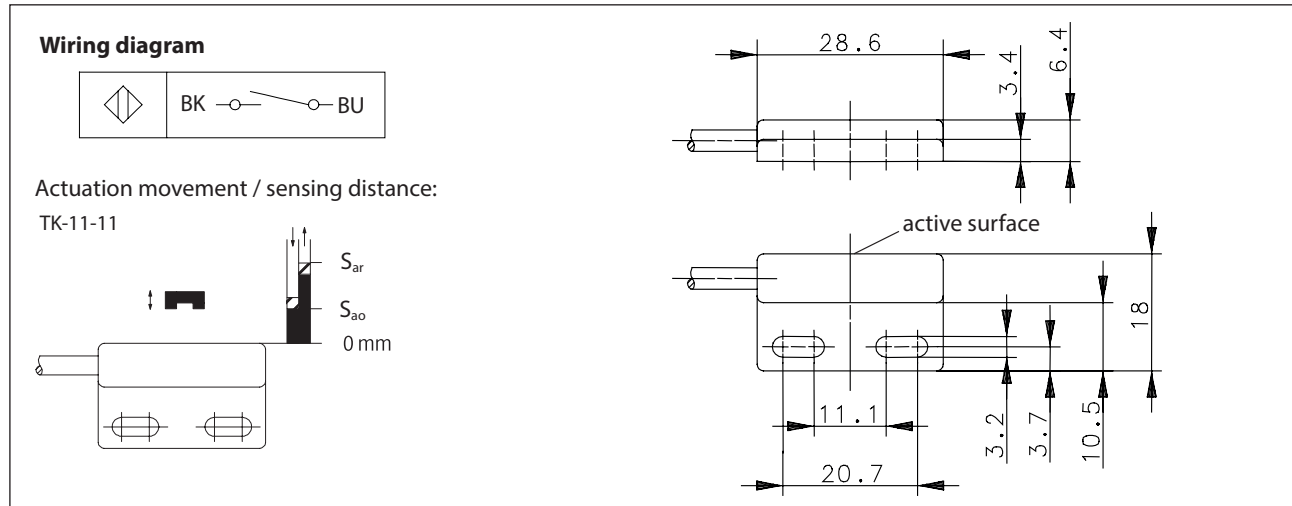


## Magnetic Switch Series MAK-11

Description **MAK-1112-B-2**

Article number **6311211548**



### Technical data

Switching function	N.O.
Reference magnet	TK-11-11 (6302111047)
Assured operating distance - ON	$S_{ao} \geq 10 \text{ mm}$
Assured operating distance - OFF	$S_{ar} \leq 22 \text{ mm}$
Repeat accuracy	R $\pm 0,1 \text{ mm}$ , under same geometrical conditions at the same temperature

### Electrical data

Max. voltage	230 V AC/DC
Max. switching current	0,5 A
Max. switching capacity	10 VA
Protection class acc. to EN 61140	II (totally insulated)
Note	Combinations of switching voltage and switching current must not exceed the maximum switching capacity.

### Mechanical data

Enclosure	PA 6.6, black; encapsulated reed contact
Temperature range	- 5 °C ... + 70 °C (cable not fixed mounted) - 25 °C ... + 70 °C (cable fixed mounted)
Mechanical life	$3 \times 10^8$ switchings
Shock Vibration	50 g (11 ms / ½ Sinewave)
Vibration	35 g (10 - 1000 Hz)
Protection type	IP67 acc. EN 60529
Termination type	Cable $2 \times 0,14 \text{ mm}^2 \times 2 \text{ m}$ ; PVC -outer jacket black
Assembly position	optional (assembly on ferromagnetic material means reduction of switch distance)

ID for safety engineering	
B10d	max. load 0,6 x 10 <sup>6</sup> switchings

Standards	
	EN 60947-5-1
	EN 62246-1
	DIN EN ISO 13849-1

EU Conformity	
	acc. to directive 2014/35/EU (Low-Voltage-Directive)

Notes	
Please observe contact protection for inductive loads.	