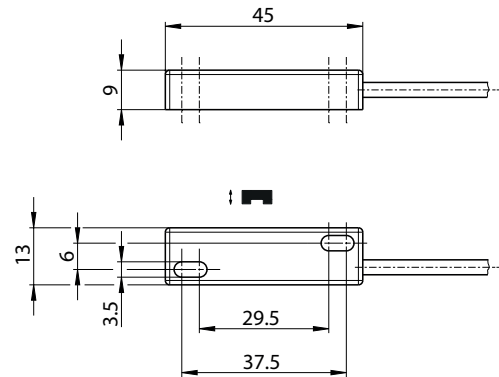
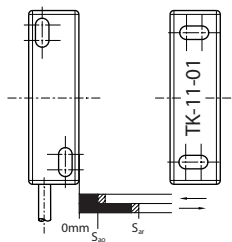
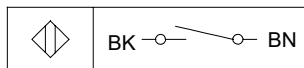


Magnetic Switch Series MAK-01

Description **MAK-0112-F-2**

Article number **6311201686**

Wiring diagram



Technical data


Switching function	N.O.
Reference magnet	TK-11-01 (6303111075)
Assured operating distance - ON	S_{ao} 10 mm
Assured operating distance - OUT	S_{ar} 22 mm
Repeat accuracy	R $\pm 0,1$ mm, under same geometrical conditions at the same temperature
Utilization category	DC-12
Frequency of operating cycles	f 1Hz

Electrical data

Max. voltage	230 V AC / DC
Max. switching current	1 A
Max. switching capacity	100 VA
Protection class acc. to EN 61140	II (totally insulated)
Note	Combinations of switching voltage and switching current must not exceed the maximum switching capacity.

Mechanical data

Enclosure	PA 6.6, black, cast-in reed contact
Temperature range	- 5 °C ... + 70 °C (cable not fixed mounted) - 25 °C ... + 80 °C (cable fixed mounted)
Mechanical life	3 x 10 ⁸ operating cycles
Shock	50 g (11 ms / ½ Sinewave)
Vibration	20 g (10 - 2000 Hz)
Protection type	IP67 acc. EN 60529
Termination type	Cable 2 x AWG26 x 2 m ± 5 %; PVC -outer jacket black
Assembly position	optional (assembly on ferromagnetic material means reduction of switch distance)

Standards	
	EN 60947-5-1
	EN 62246-1
EU Conformity	
	acc. to directive 2014/35/EU (Low-Voltage-Directive)
Approvals	
	
	UL Listed, Ind. Cont. Eq. / Class 2 Power source
	Note limited electrical data:
	max. switching voltage 30 V AC / 60 V DC
	max. switching current 1 A
	max. switching capacity 60 VA
Notes	
	Contact protection must be provided for inductive and capacitive loads.