

Technical Data

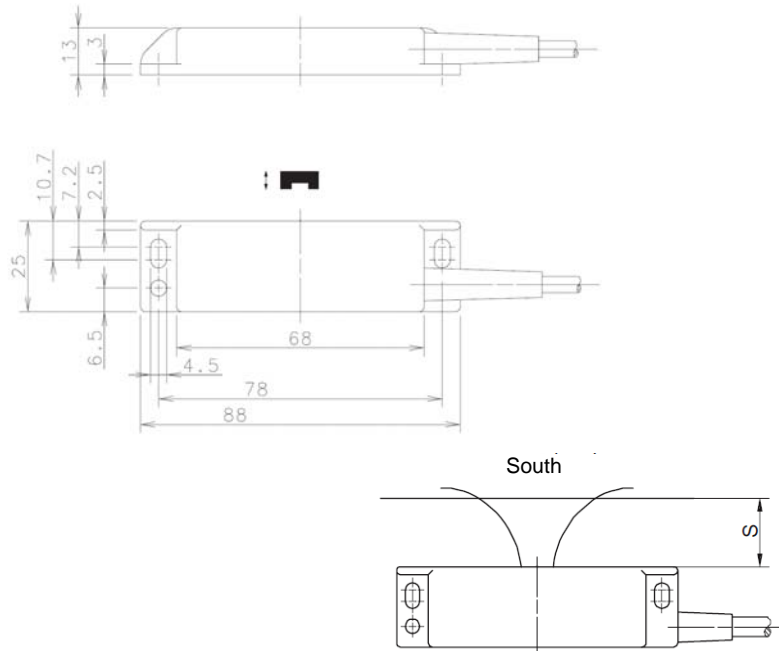
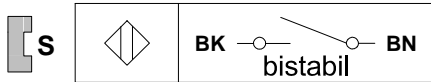
Magnetic switch

Series MA-42

Type designation **MAK-4214-A-1**

Item number **6310442715**

Wiring diagram



Magnet	T-62 N/S	T-69 N/S
S	2 ... 20mm	5 ... 25mm
∅D	23,0 mm	31,0 mm
∅d	4,4 mm	5,3 mm
h	10,0 mm	15,0 mm

Identifying characteristics in accordance with EN 60947-5-1 and EN 62246-1

Electrical data

Switching element function	bistable "N.O.-N.C."
Reed contact:	max. switching voltage 250 V AC / DC
	max. switching current 3 A
	max. switching capacity 120 VA
	mechanical lifetime 3x10 ⁸ switchings, however, according to load resetability
Repeat accuracy	R ± 0,1 mm
Shock	under same geometrical conditions at the same temperature 50 g (11 ms, ½ Sinevawe)
Vibration	35 g (10 - 1000 Hz)
Corresponding magnet	T-62 N/S

Mechanical data

Enclosure	PA 6.6, black; encapsulated reed contact
Ambient air temperature	-5 °C ... +70 °C
Type of protection	IP67 (NEMA 4) according to IEC 529, EN 60529
Termination type	cable 2 x AWG20 x 1 m ± 5 %, PVC -outer jacket black
Assembly position	optional (assembly on iron means reduction of switch distance)

EU Conformity

acc. to directive 2004/108/EC

Approvals



UL Listed, Ind. Cont. Eq. / Class 2 Power source

Note limited electrical data:

max. switching voltage 30 V AC / 60V DC

max. switching current 2 A

max. switching capacity 100 VA

This document will not become the contractual basis; the details included herein do not constitute any descriptions of expected conditions, so that warranties/claims for defects on account of possible variations of the actual from the here described condition are excluded. Subject to modifications and amendments.

Date of issue: 26.06.2013 / Page 1 of 1
Document: 6310442715_en / Last update: 1 / 0022-13