

Technical Data

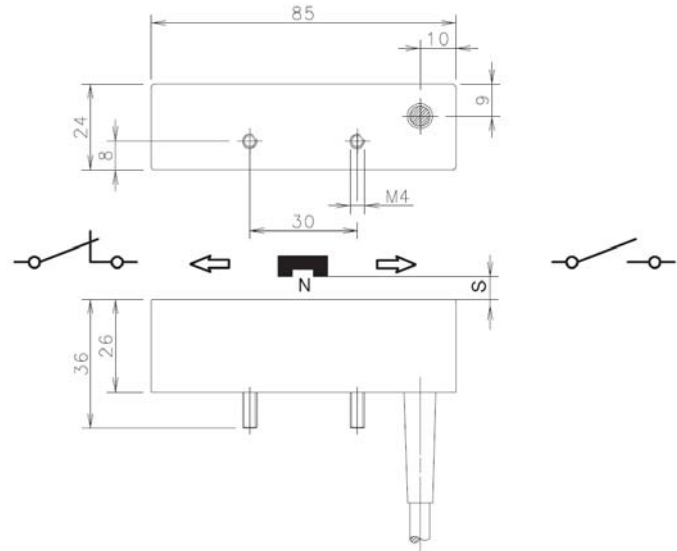
Magnetic switch

Series MA-32

Type designation **MAK-3214-A-1**

Item number **6310432707**

Wiring diagram



Identifying characteristics in accordance with EN 60947-5-1 and EN 62246-1

Electrical data

Assured operating distance	S _a	17 mm
Switching element function		bistable "N.O.-N.C."
Reed contact: max. switching voltage		250 V AC / DC
max. switching current		3 A
max. switching capacity		120 VA
mechanical lifetime		3x10 ⁸ switchings, however, according to load resetability
Repeat accuracy	R	± 0,1 mm
Shock		under same geometrical conditions at the same temperature
Vibration		50 g (11 ms, ½ Sinevawe)
Corresponding magnet		35 g (10 - 1000 Hz)
		T-62 N/S

Mechanical data

Enclosure	PBT, black; encapsulated reed contact
Ambient air temperature	-5 °C ... +70 °C
Type of protection	IP67 (NEMA4) according to IEC 529, EN 60529
Termination type	cable 2 x AWG20 x 1 m ± 5 %; PVC -outer jacket black;
Assembly position	optional (assembly on iron means reduction of switch distance)

EU Conformity

acc. to directive 2004 / 108 / EC

Approvals



UL Listed, Ind. Cont. Eq. / Class 2 Power source

Note limited electrical data:

max. switching voltage 30 V AC / 60 V DC

max. switching current 2 A

max. switching capacity 100 VA

This document will not become the contractual basis; the details included herein do not constitute any descriptions of expected conditions, so that warranties/claims for defects on account of possible variations of the actual from the here described condition are excluded. Subject to modifications and amendments.

Date of issue: 26.06.2013 / Page 1 of 1
Document: 6310432707_en / Last update: 1 / 0022-13