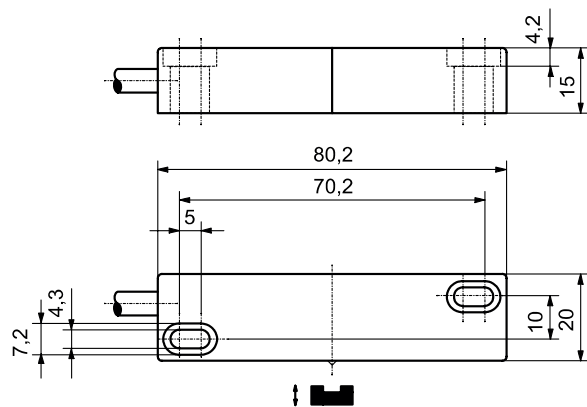
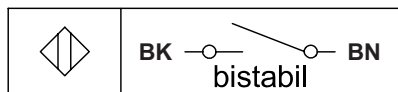


## Magnetic Switch Series MAK-12

Description **MAK-1214-A-2**

Article number **6310412698**

### Wiring diagram



### Technical data


Switching function	bistable „N.O.-N.C.“
Reference magnet	T-62 N/S (6301262074)
Assured operating distance - ON	$S_{ao}$ 18 mm
Repeat accuracy	R $\pm 0,1$ mm, under same geometrical conditions at the same temperature

### Electrical data

Max. voltage	250 V AC / DC
Max. switching current	3 A
Max. switching capacity	120 VA
Protection class acc. to EN IEC 61140	II (totally insulated)
Note	Combinations of switching voltage and switching current must not exceed the maximum switching capacity.

### Mechanical data

Enclosure	PA 6.6, red
Temperature range	-5 °C ... +70 °C
Mechanical life	3 x 10 <sup>8</sup> operating cycles
Protection type	IP67 acc. EN 60529
Termination type	Cable 2 x AWG 20 x 2 m $\pm 5$ %; PVC -outer jacket black
Assembly position	optional (assembly on ferromagnetic material means reduction of switch distance)

Standards	
	EN 60947-5-1
	EN 62246-1
EU Conformity	
	acc. to directive 2014/35/EU (Low-Voltage-Directive)
Approvals	
	 UL Listed, Ind. Cont. Eq. / Class 2 Power source <b>Note limited electrical data:</b> max. switching voltage 30 V AC / 60V DC max. switching current 2 A max. switching capacity 100 VA
ID for safety engineering	
B10d	0,6 x 10 <sup>6</sup> (max. load)
Notes	
Contact protection must be provided for inductive and capacitive loads.	