

# Technical Data

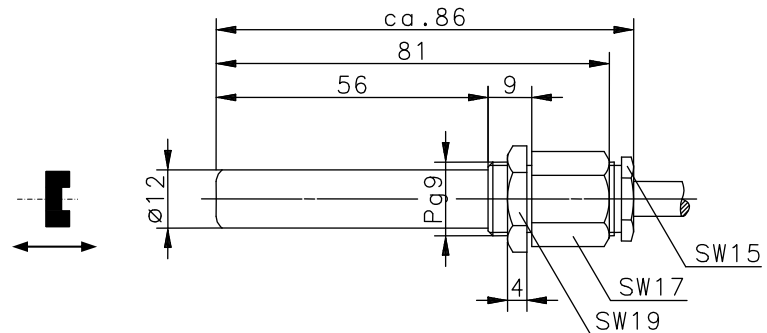
## Magnetic switch

### Series MA-06

Type designation **MAA-0614-A-1**

Item number **6310406685**

#### Wiring diagram




#### Identifying characteristics in accordance with EN 60947-5-1 and EN 62246-1

Electrical data		
Assured operating distance	S <sub>a</sub>	20 mm
Switching element function		bistable "N.O.-N.C."
Reed contact:		
max. switching voltage		250 V AC / DC
max. switching current		3 A
max. switching capacity		120 VA
mechanical lifetime		3x10 <sup>8</sup> switchings, however, according to load resetability
Repeat accuracy	R	± 0,1 mm
Shock		under same geometrical conditions at the same temperature
Vibration		50 g (11 ms, ½ Sinevawe)
Corresponding magnet		35 g (10 - 1000 Hz)
		T-62 N/S

Mechanical data	
Enclosure	Al; encapsulated reed contact
Ambient air temperature	-5 °C ... +70 °C
Type of protection	IP67 (NEMA 4) according to IEC 529, EN 60529
Termination type	cable 2 x AWG20 x 1 m ± 5 %; PVC-outer jacket black
Assembly position	optional (assembly on iron means reduction of switch distance)
Fixing accessories	1 x hexagon nut

EU Conformity	
	acc. to directive 2004 / 108 / EC

Approvals	
	
	UL Listed, Ind. Cont. Eq. / Class 2 Power source
	<b>Note limited electrical data:</b>
	max. switching voltage 30 V AC / 60V DC
	max. switching current 2 A
	max. switching capacity 100 VA

This document will not become the contractual basis; the details included herein do not constitute any descriptions of expected conditions, so that warranties/claims for defects on account of possible variations of the actual from the here described condition are excluded. Subject to modifications and amendments.

Date of issue: 26.06.2013 / Page 1 of 1  
Document: 6310406685\_en / Last update: 1 / 0022-13