

Technical Data

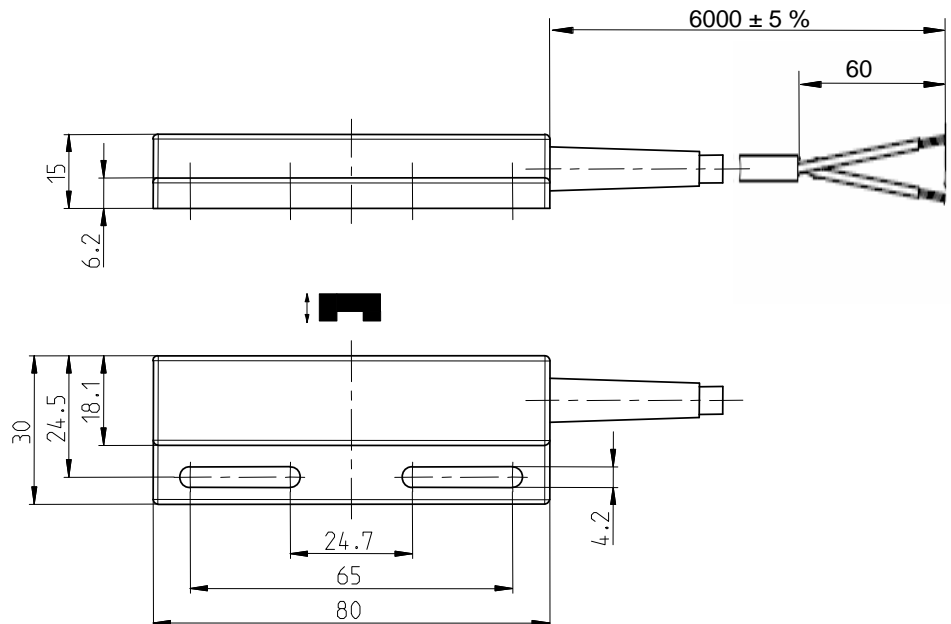
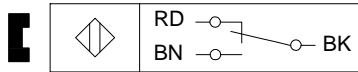
Magnetic switch

Series MA-44

Type designation **MAK-4413-D-6**

Item number **6310344671**

Wiring diagram



Identifying characteristics in accordance with EN 60947-5-1 and EN 62246-1

Electrical data

Assured operating distance	S_a	22 mm
Switching element function		change over
Reed contact:		
max. switching voltage		125 V AC / 175 V DC
max. switching current		280 mA AC / 400 mA DC
max. switching capacity		5 VA
mechanical lifetime		3×10^8 switchings, however, according to load resetability
Repeat accuracy	R	$\pm 0,1$ mm
Max. Release point		under same geometrical conditions at the same temperature
Max. Release point		50 mm
Corresponding magnet		TK-44

Mechanical data

Enclosure	PA 6.6, black; encapsulated reed contact
Ambient air temperature	-5 °C ... +70 °C
Type of protection	IP67 (NEMA 4) according to IEC 529, EN 60529
Termination type	cable 3 x AWG 20, PVC -outer jacket black
Assembly position	optional (assembly on iron means reduction of switch distance)

EU Conformity

acc. to Directive 2004 / 108 / EC

Approvals



UL Listed, Ind. Cont. Eq. / Class 2 Power source

Note limited electrical data:

max. switching voltage 30 V AC / 60 V DC
 max. switching current 0,25 A
 max. switching capacity 5 VA

This document will not become the contractual basis; the details included herein do not constitute any descriptions of expected conditions, so that warranties/claims for defects on account of possible variations of the actual from the here described condition are excluded. Subject to modifications and amendments.

Date of issue: 20.11.2012 / Page 1 of 1
 Document: 6310344671_en / Last update: 1 / 0358-12