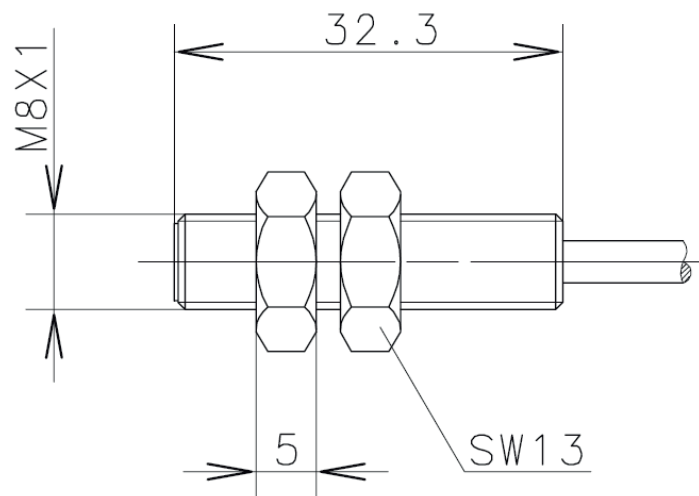
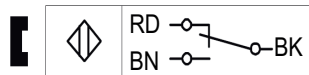


Magnetic Switch Series MA-08

Description **MAN-0813-D-1**

Article number **6310308733**

Wiring diagram




Identifying characteristics in accordance with EN 60947-5-1 and EN 62246-1

Technical data	
Switching function	Switch-Over
Reference magnet	T-62 N/S (6301262074)
Assured operating distance	S_a 29 mm
Repeat accuracy	R $\pm 0,1$ mm, under same geometrical conditions at the same temperature

Electrical data	
max. switching voltage	125 V AC / 175 V DC
max. switching current	280 mA AC / 400 mA DC
max. switching capacity	5 VA
Max. release point	S_{ab} 40 mm

Mechanical data	
Enclosure	Niro (1.4305)
Ambient air temperature	-5 °C ... +90 °C
Mechanical lifetime	3 x 10 ⁸ switchings
Protection class	IP67 (NEMA 4) according to IEC 529, EN 60529
Connection	cable 3 x AWG26 x 1 m ± 5 %; PVC -outer jacket black
Installation position	optional (assembly on iron means reduction of switch distance)
Pollution degree	2 x hexagon nut PA

EU Conformity	
	acc. to directive 2011/65/EU (RoHS-directive)

Approvals	
	 UL Listed, Ind. Cont. Eq. / Class 2 Power source
	Note limited electrical data:
	max. switching voltage 30 V AC / 60 V DC
	max. switching current 0,25 A
	max. switching capacity 5 VA