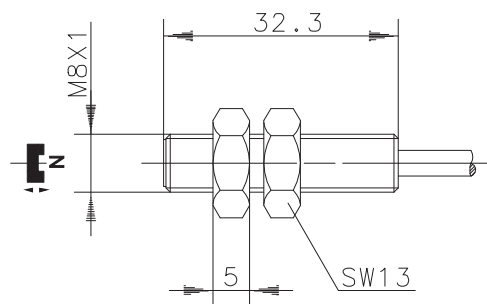
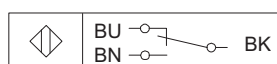


Magnetic Switch Series MA-08

Description **MAN-0813-Y-3**

Article number **6310308637**

Wiring diagram



Identifying characteristics in accordance with EN 60947-5-1 and EN 62246-1

Electrical data		
Assured operating distance	S_a	13 mm
Max. release point		32 mm
Switching element function		Switch-Over
max. switching voltage		100 V AC / DC
max. switching current		0,5 A
max. switching capacity		10 VA
mechanical lifetime		3 x 10 ⁸ switchings, however, according to load resetability
Repeat accuracy	R	± 0,1 mm, under same geometrical conditions at the same temperature
Shock		50 g (11 ms, ½ Sine wave)
Vibration		20 g (10 – 1000 Hz)
Corresponding magnet		T-62 N/S

Mechanical data	
Enclosure	Stainless steel (Niro 1.4305)
Front cap	PA6, black
Ambient air temperature	-5 °C ... +70 °C (movable condition) -20 °C ... +70 °C (unmovable condition)
Type of protection	IP67
Termination type	Cable 3 x 0,14 mm ² x 3 m; PVC - Outer jacket, black
Assembly position	optional (assembly on iron means reduction of switch distance)
Fixing accessories	2 x hexagon nut (PA, black)

EU Conformity

acc. to directive 2006 / 95 / EC