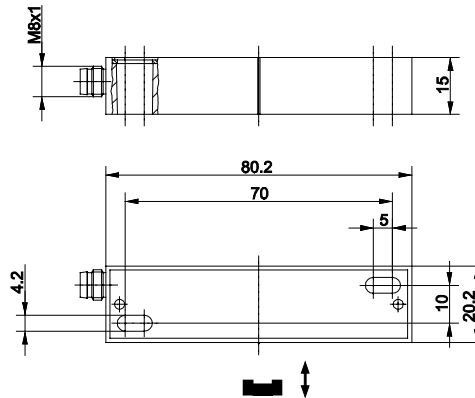
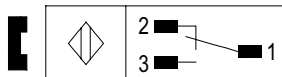


Magnetic Switch Series MAA-02

Description **MAA-0213-STK**

Article number **6310302636**

Wiring diagram



Technical data

Switching function	C.O.	
Reference magnet	TA-21-02 (6305121064)	
Assured operating distance - ON	S_{ao}	25 mm
Assured operating distance - OFF	S_{ar}	70 mm
Repeat accuracy	R	$\pm 0,1$ mm, under same geometrical conditions at the same temperature

Electrical data

Max. voltage	50 V AC / 75 V DC	
Max. switching current	1,0 A	
Max. switching capacity	50 VA	
Min. switching capacity	3 VA	
Protection class acc. to EN IEC 61558	III (safety extra-low voltage)	
Note	Combinations of switching voltage and switching current must not exceed the maximum switching capacity.	

Mechanical data

Enclosure	GDAISi 12, red; encapsulated reed contact	
Temperature range	-30 °C ... +80 °C	
Mechanical life	3 x 10 ⁸ operating cycles	
Shock	10 g (11 ms / ½ Sinewave)	
Vibration	15 g (50 – 2000 Hz)	
Protection type	IP65 acc. EN 60529 (only in fully locked position with it's plugs)	
Termination type	Plug socket M8x1	
Assembly position	optional (assembly on ferromagnetic material means reduction of switch distance)	

Standards	
	EN 60947-5-1
	EN 62246-1

EU Conformity	
	acc. to directive 2014/35/EU (Low-Voltage-Directive)

Notes	
	Contact protection must be provided for inductive and capacitive loads.