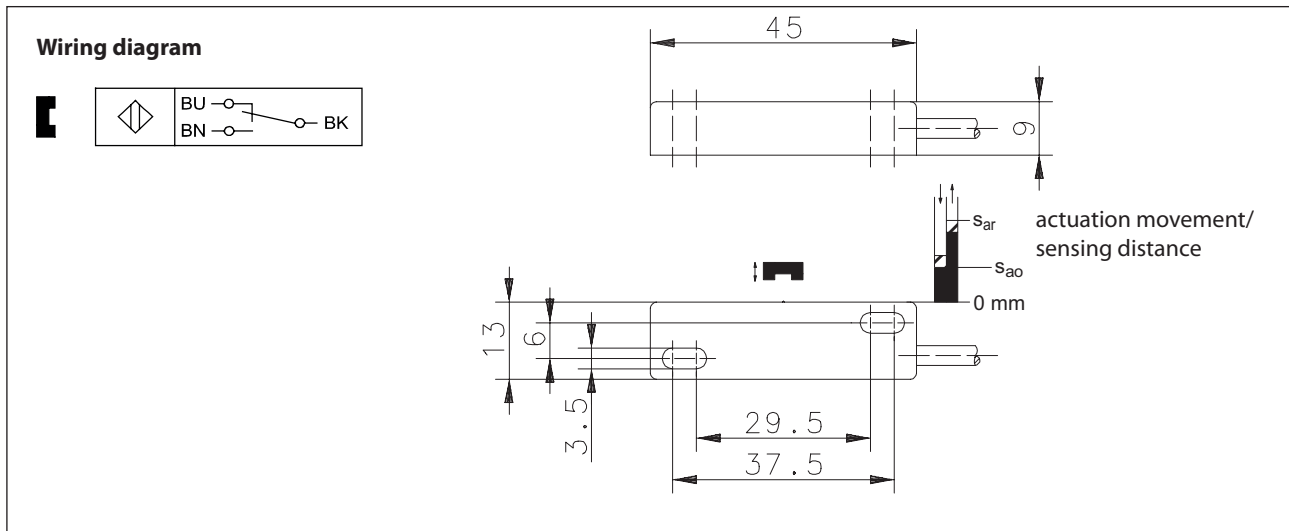


## Magnetic Switch Series MA-01

Description **MAK-0113-3**

Article number **6310301666**



### Technical data

Switching function	C.O.	
Reference magnet	TK-11-01 (6303111001)	
Assured operating distance - ON	$S_a$	$\geq 10$ mm
Assured operating distance - OFF	$S_{ar}$	$\leq 20$ mm
Repeat accuracy	R	$\pm 0,1$ mm, under same geometrical conditions at the same temperature

### Electrical data

Max. voltage	230 V AC / DC	
Max. switching current	1,0 A	
Max. switching capacity	60 VA	
Protection class acc. to EN 61140	II (totally insulated)	
Note	Combinations of switching voltage and switching current must not exceed the maximum switching capacity.	

### Mechanical data

Enclosure	PA6.6, black	
Temperature range	- 5 °C ... + 70 °C	
Mechanical life	3 x 10 <sup>8</sup> operating cycles	
Shock Vibration	50 g (11 ms / ½ Sinewave)	
Vibration	35 g (10 - 1000 Hz)	
Protection type	IP 67 acc. to EN 60529	
Termination type	Cable 3 x 0,14 mm <sup>2</sup> x 3 m $\pm 5$ %; PVC -outer jacket black	
Assembly position	optional (assembly on ferromagnetic material means reduction of switch distance)	

Standards
EN 60947-5-1
EN 62246-1

EU Conformity
acc. to directive 2014/35/EU (Low-Voltage-Directive)

Notes
Contact protection must be provided for inductive and capacitive loads.