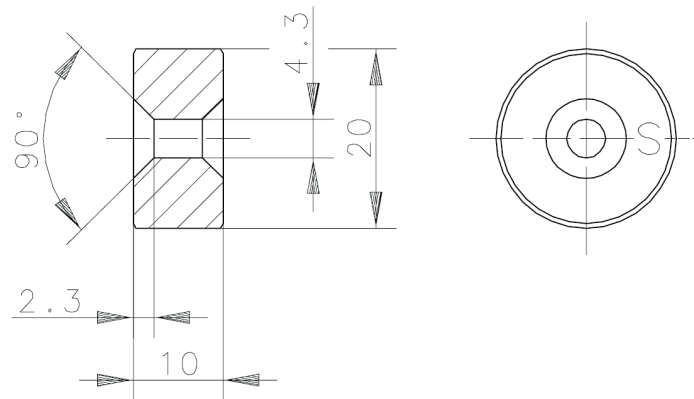


## Magnetic Switch

### Switching magnet

Description **T-67 N/S**

Article number **6301167054**



#### Mechanical data

Magnet	Hartferrit 24/23; axial magnetisation; marking on the south pole side
Ambient air temperature	-40 °C ... +150 °C
Application	general use
Installation position	operator definable
Torque	2 Nm ± 0,25 Nm (with attached mounting material)

#### Approvals



UL Listed, Ind. Cont. Eq.