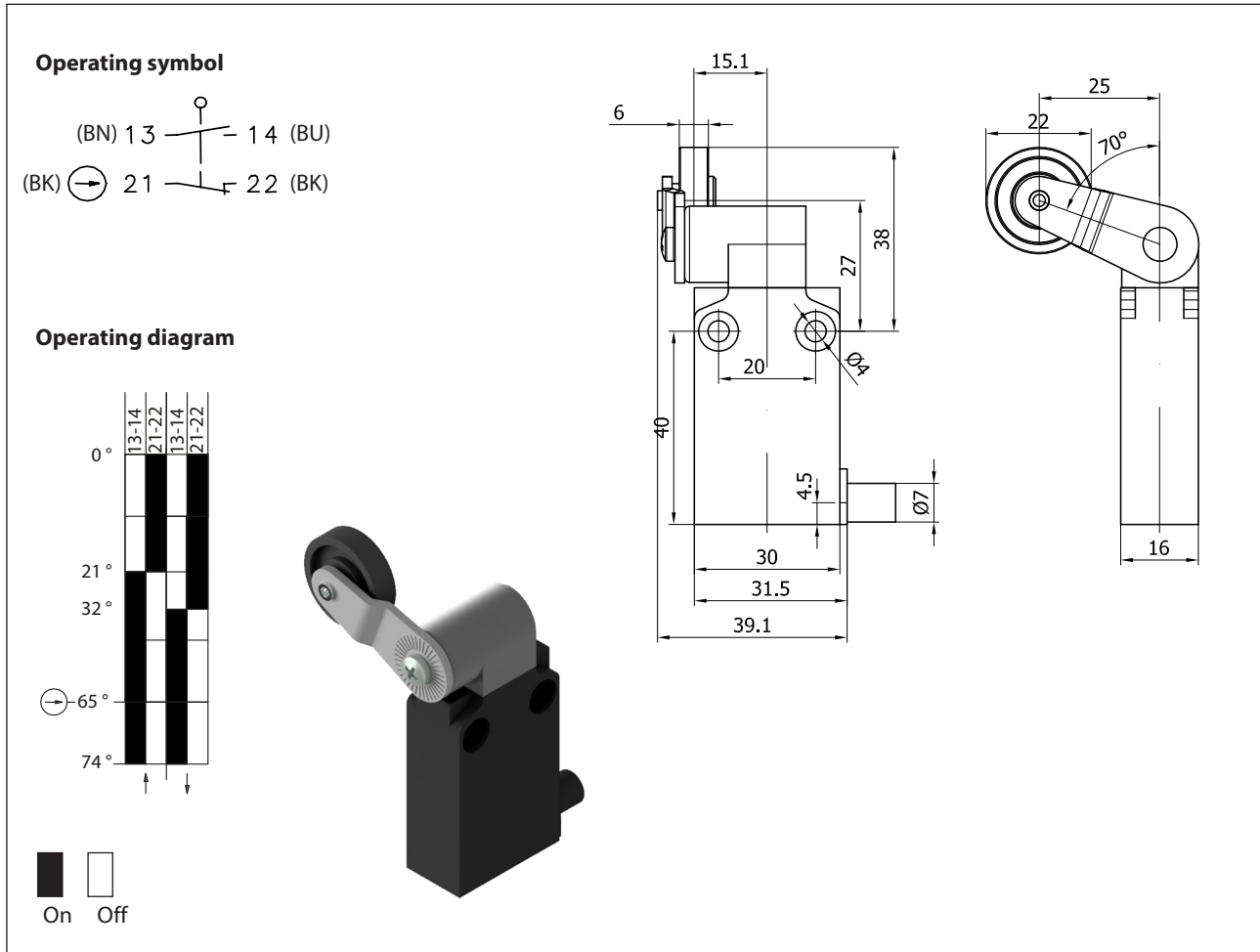


Plastic bodied limit switch Series I49

Description **I49-SU1Z AH**

Article number **6189185095**



Electrical Data

Rated insulation voltage
acc. to IEC 947-1 and DIN EN 60947-1
acc. to UL 508 and CSA C22-2 n° 14

U_i 400 V (degree of pollution 3)
B300, R300

Conv. thermal current
acc. to IEC 947-5-1 and DIN EN 60947-5-1) $0 < 40 \text{ }^\circ\text{C}$

I_{the} 10 A

Rated operational voltage

U_e 240 V

Utilization category

AC-15, 24 V - 10 A / 240 V - 3 A
DC-13, 24 V - 2.8 A / 125 V - 0.22 A / 250 V - 0.27 A

Direct opening action

acc. to IEC/EN 60947-5-1

Short-circuit protective device
 $U_e < 500 \text{ V a.c.}$ - gG type fuses

Fuse 10 A gG

Protection class

II, totally insulated

| Mechanical data | |
|-----------------------------|--|
| Enclosure | Pre-wired, Double insulation, Plastic Casing IP67, 30 mm width (polymeric) |
| Actuator | Plunger (nikel -plated), lever (galvanized), roller Ø22 mm (nylon) |
| Ambient air temperature | |
| -during operation | -25 °C ... +70 °C |
| -for storage | -30 °C ... +70 °C |
| Contact type | Snap action, 1 NO, 1 NC |
| Mechanical life | 10 x 10 ⁶ switching cycles |
| Switching frequency | 60 / min |
| Velocity for actuating | 1,5 m/s |
| Resistance between contacts | < 25 mΩ |
| Connection | PUR 4 x 0,75 mm ² UL cable, 1m length |
| Installation position | All positions are authorized |
| Protection type | IP67 acc. to IEC/EN 60529 |

| ID for safety engineering | |
|---------------------------|-----------------------------|
| B10d N.C. | 20 x 10 ⁶ cycles |
| B10d N.O. | 1 x 10 ⁶ cycles |

| Standards | |
|-----------|--------------------|
| | DIN EN 60947-5-1 |
| | DIN EN ISO 13849-1 |

| EU Conformity | |
|---------------|--|
| | acc. to directive 2014/35/EU (Low-Voltage-Directive) |

| Approvals | |
|-----------|-------------------|
| | cUL _{US} |

| Notes | |
|-------|---|
| | Type 1 enclosure ("indoor use only") acc. to UL50 |