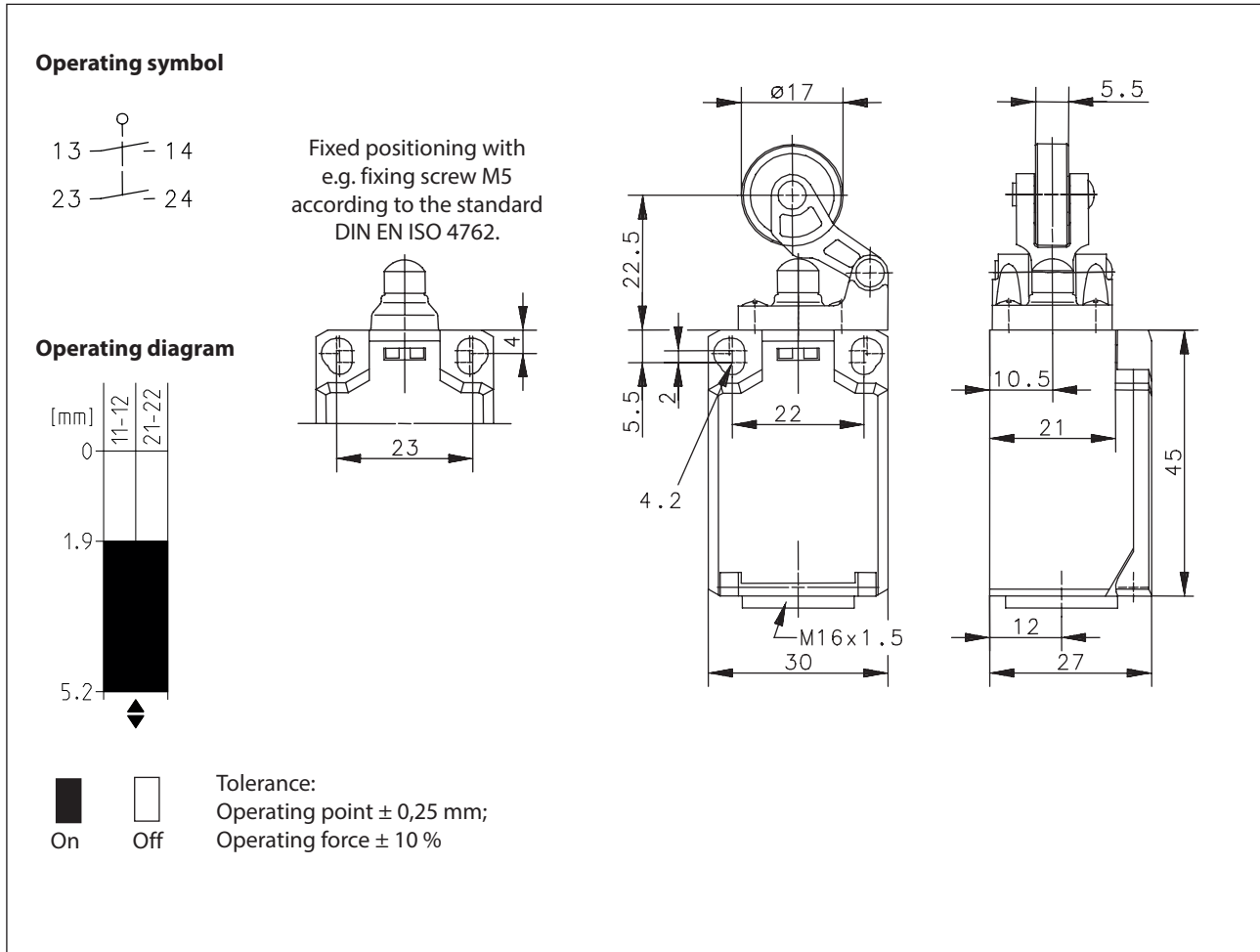


Plastic bodied limit switch

Series TI2

Description **TI2-E2 HW**

Article number **6188821096**



Electrical Data		
Rated insulation voltage	U_i	250 V AC
Conv. thermal current	I_{the}	10 A
Rated operational voltage	U_e	240 V
Utilization category		AC-15, U_e/I_e 240 V / 3 A
Short-circuit protective device		Fuse 6 A gG
Protection class		II, totally insulated

Mechanical data	
Enclosure	Thermoplastic, glass fibre reinforced (UL 94-V0)
Cover	Thermoplastic, glass fibre reinforced (UL 94-V0)
Actuator	Lever with roller (thermoplastic)
Ambient air temperature	-40 °C ... +80 °C
Contact type	2 NO
Mechanical life	3 x 10 ⁶ operating cycles
Switching frequency	≤ 100 / min.
Assembly	2 x M4 or 2 x M5 fixed position
Connection	4 screw connections (M3,5)
Conductor cross-sections	0,5 – 1,5 mm ² (solid or stranded wire with ferrules)
Cable entrance	1 x M16 x 1,5
Weight	≈ 0,06 kg
Installation position	operator definable
Protection type	IP67 acc. to EN 60529

Actuation
The actuating device is preferably started from 2 sides. By loosening the 4 screws the actuation assembly can be rotated in 90 degree increments such that 8 actuation directions are possible. The actuation assembly is to be again fastened to the housing using the 4 screws.

Standards
DIN EN 60947-5-1

EU Conformity
acc. to directive 2014/35/EU

Approvals
_C UL _{US} A300, Q300
_C CSA _{US} A300, Q300 (same polarity)
CCC

Notes
The degree of protection (IP code) specified applies solely to a property closed cover and the use of an equivalent cable gland with adequate cable.