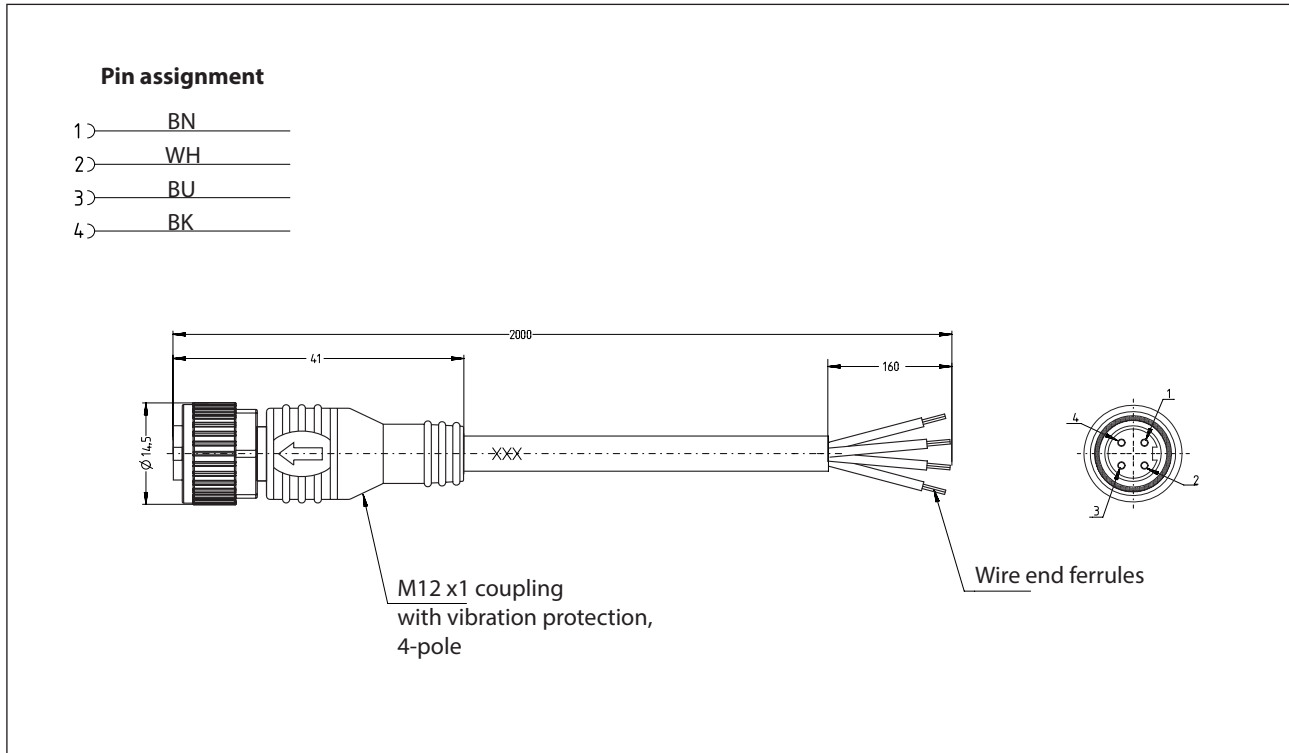


Accessories

Connecting cable

Description **SFW-M12C4/AW-2PU**

Article number **6175689041**



Electrical Data

Operating voltage	max. 250 V
Current rating	4 A at 40 °C
Insulation resistancw	≥100 MΩ

Mechanical Data

Connection	M12x1, 4-pole (A-Coded)
Cable	LiF9YH-11YH 4 x 0,34 mm ² , outer-jacket PUR UL, black
Overmolding	TPU
Ambient temperature	-30 °C ... +90 °C
Degree of pollution	3
Type of protection	IP68 (only in fully snapped-in position with it's plugs)

EU Conformity

acc. to directive 2014/35/EU (Low-Voltage-Directive)
acc. to directive 2011/65/EU (RoHS-Directive)