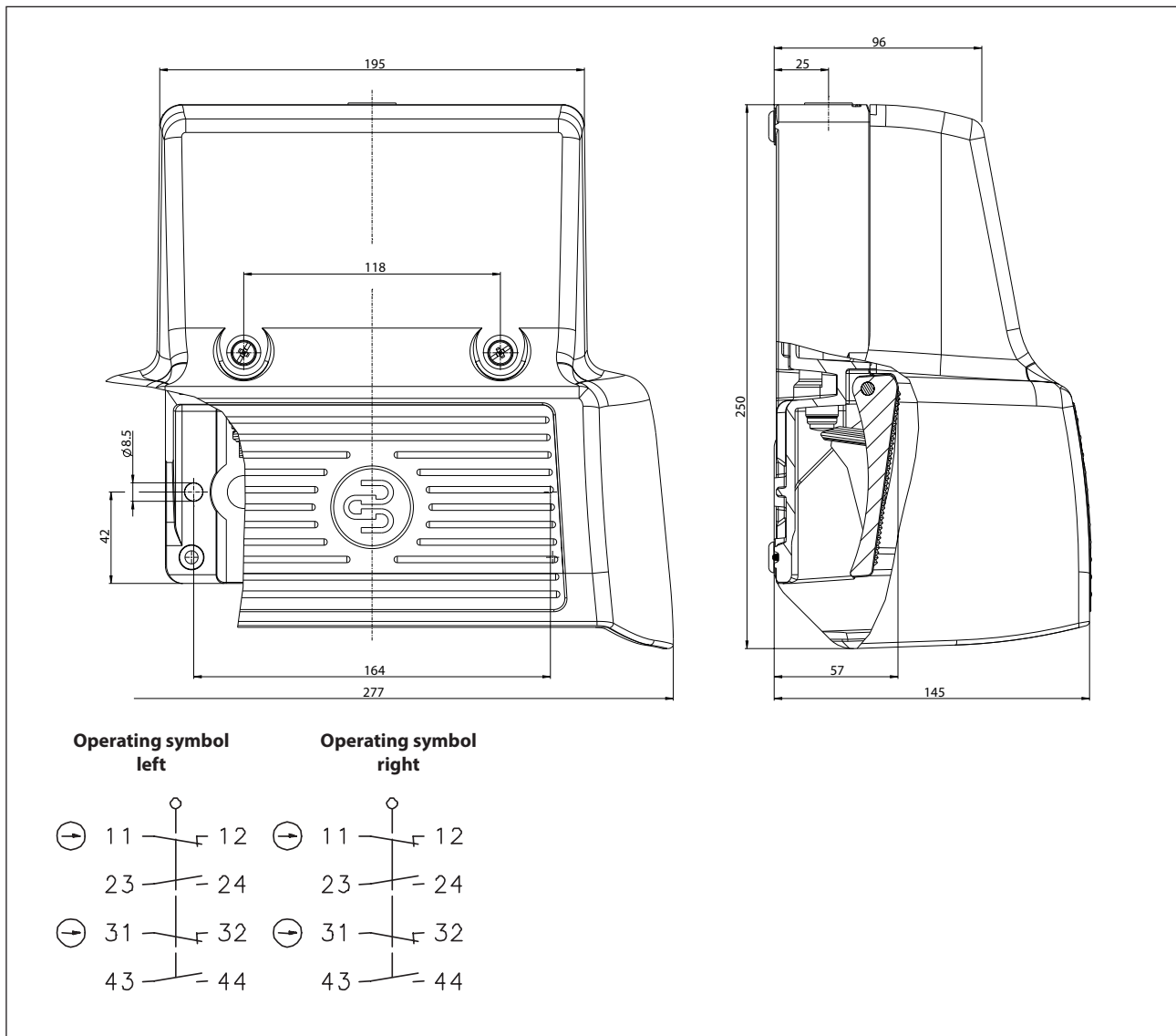


Foot-switch Series F2 UN

Description **F2-U2Z/U2Z UN**

Article number **6162720566**



Electrical Data	
Rated insulation voltage	U_i 400 V AC
Conv. thermal current	I_{the} 10 A
Rated operational voltage	U_e 240 V
Utilization category	AC-15, U_e 240 V / I_e 3 A
Direct opening action	\rightarrow acc. to IEC/EN 60947-5-1, annex K (pedal stop)
Short-circuit protective device	Fuse 10 A gG
Protection class	I

Mechanical data	
Enclosure	AL, die-cast
Protective guard (Accident protection cover UN)	AL, die-cast
Actuator	Foot lever (PA)
Ambient air temperature	-30° C ... +80° C
Contact type	4 NC, 4 NO (Zb)
Operating force	≈ 10 N (pedal centre)
Mechanical life	10 x 10 ⁶ operating cycles
Switching frequency	max. 50 / min
Assembly	2 x M8
Connection	screw terminals (M3,5)
Number of connections	16
Protection ground	2 x M4
Conductor cross-sections	Solid: 0,5 ... 1,5 mm ² or Litz wire with ferrules: 0,5 ... 1,5 mm ²
Cable entrance	1 x M20 x 1,5
Weight	≈ 2,6 kg
Protection type	IP67 acc. to IEC/EN 60529

ID for safety engineering	
B10d	20 x 10 ⁶ switching cycles

Standards	
	DIN EN 60947-5-1

EU Conformity	
	acc. to directive 2006/42/EC (Machinery Directive)

Approvals	
	DGUV
	cCSA _{US} A300 (same polarity)
	UL1B68
	CCC

Notes	
The degree of protection (IP code) specified applies only to a properly closed accident protection cover and in connection with the appropriate cable glands with the appropriate cable.	