

# Technical Data

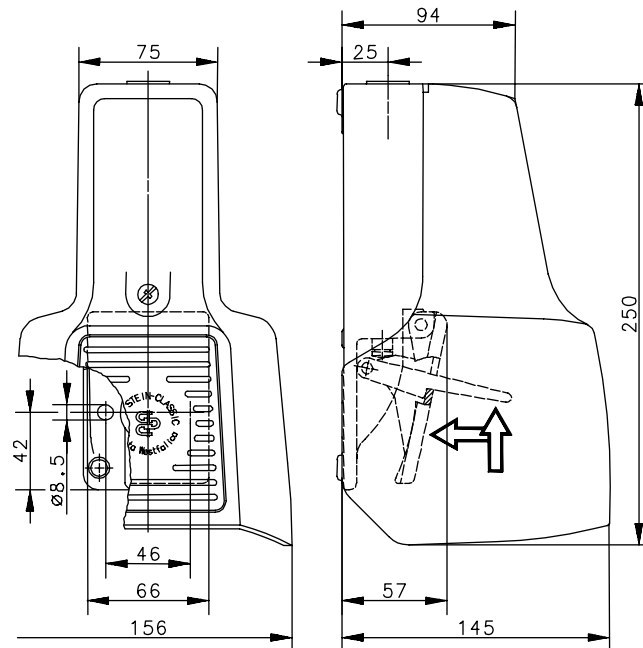
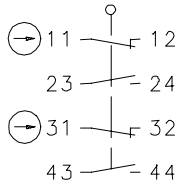
## Foot-switch

### Series F1 UN

Description **F1-U2Z AT UN**

Article number **6161700483**

#### Switching symbol



#### Electrical data

Rated insulation voltage	$U_i$	400 VAC
Conv. thermal current	$I_{the}$	10A
Rated operational voltage	$U_e$	240V
Utilization category		AC-15, $U_e/I_e$ 240V/3A
Direct opening action	$\ominus$	acc. IEC/EN 60947-5-1, annex K
Short-circuit protective device		Fuse 10A gL/gG
Protection class		I

This document will not become the contractual basis; the details included herein do not constitute any descriptions of expected conditions, so that warranties/claims for defects on account of possible variations of the actual qualities from the qualities described herein are explicitly excluded. All rights reserved. Specifications subject to change without notice!

Date of issue: 22.12.2005 / Page 1 of 2  
Document: 6161700483\_en / Last update: 1 / 3086-05

<b>Mechanical data</b>	
Enclosure	AL, die-cast
Protective guard (Accident protection cover UN)	AL, die-cast
Actuator	Foot lever (PA) with pedal latching
Ambient air temperature	-30°C ... +80°C
Contact type	2 N.C., 2 N.O. (Zb)
Operating force	approx. 10N (pedal centre)
Mechanical life	10 x10 <sup>6</sup> operating cycles
Switching frequency	max. 50/min
Assembly	2 x M8
Connection	screw connections (M3,5)
Number of connections	8 (see switching symbol)
Protection ground	2 x M4
Conductor cross-sections	Solid: 0,5 – 1,5mm <sup>2</sup> Litz wire with or without ferrules: 0,5 – 1,5mm <sup>2</sup>
Cable entrance	3 x M20x1,5
Weight	≈ 1,5kg
Protection type	IP65 in accordance with IEC/EN 60529
<b>Regulations</b>	
	VDE 0660 T100, DIN EN 60947-1, IEC 60947-1 VDE 0660 T200, DIN EN 60947-5-1, IEC 60947-5-1
<b>EU Conformity</b>	
	<b>CE</b>

### Notes

The degree of protection (IP code) specified applies solely to a property closed cover and the use of an equivalent cable gland with adequate cable.