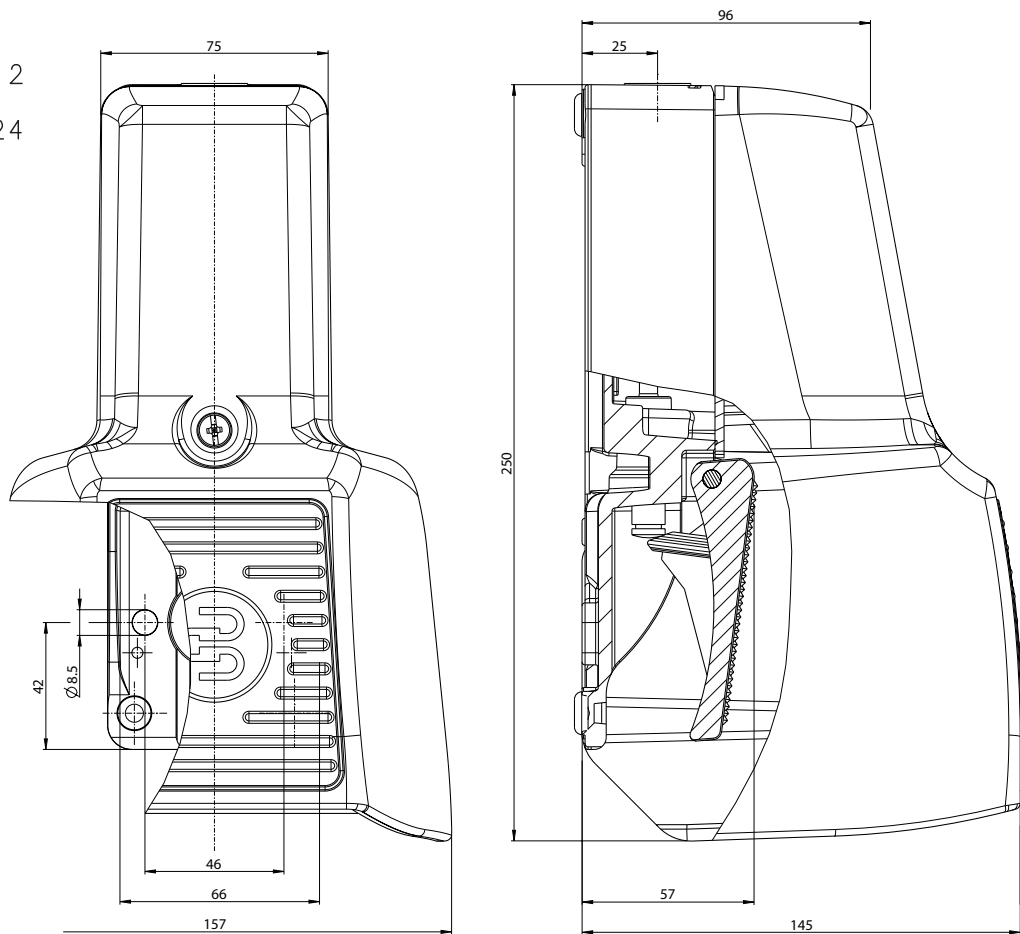
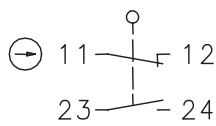


## Foot-switch Series F1


Description **F1-U1Z UN**

Article number **6161600657**

### Operating symbol



### Electrical data

Rated insulation voltage	$U_i$	400 V AC
Conv. thermal current	$I_{the}$	10 A
Rated operational voltage	$U_e$	240 V
Utilization category		AC-15, $U_e$ 240 V / $I_e$ 3 A, $U_i$ 400 V
Direct opening action		acc. to IEC/EN 60947-5-1, Annex K (pedal stop)
Short-circuit protective device		Fuse 10 A gG
Protection class		I

<b>Mechanical Data</b>	
Enclosure	AL die-cast
Protective guard (Accident protection cover UN)	AL die-cast, colour: RAL1018 zinc yellow
Actuator	Foot lever (PA)
Ambient air temperature	-30 °C ... +80 °C
Contact type	1 N.C. / 1 N.O. (Zb)
Operating force	≈ 10 N (pedal centre)
Mechanical life	10 x 10 <sup>6</sup> switching cycles
Switching frequency	≤ 50/min
Assembly	2 x M8
Connection	Screw connections (M3,5)
Number of connections	4
Protection ground	2 x M4
Conductor cross-sections	Solid: 0,5 ... 1,5 mm <sup>2</sup> Litz wire with ferrules: 0,5 ... 1,5 mm <sup>2</sup>
Cable entry size	1 x M20 x 1,5
Weight including protective guard	≈ 1,5 kg
Protection type	IP 65 acc. to IEC/EN 60529

<b>ID for safety engineering</b>	
B10d	20 x 10 <sup>6</sup> switching cycles

<b>Standards</b>	
	DIN EN 60947-5-1

<b>EU Conformity</b>	
	acc. to directive 2006/42/EC (Machinery Directive)

<b>Approvals</b>	
	DGUV
	cCSA <sub>US</sub> A300 (same polarity)
	CCC

<b>Notes</b>	
The degree of protection (IP code) specified applies only to a properly closed accident protection cover and in connection with the appropriate cable glands with the appropriate cable.	