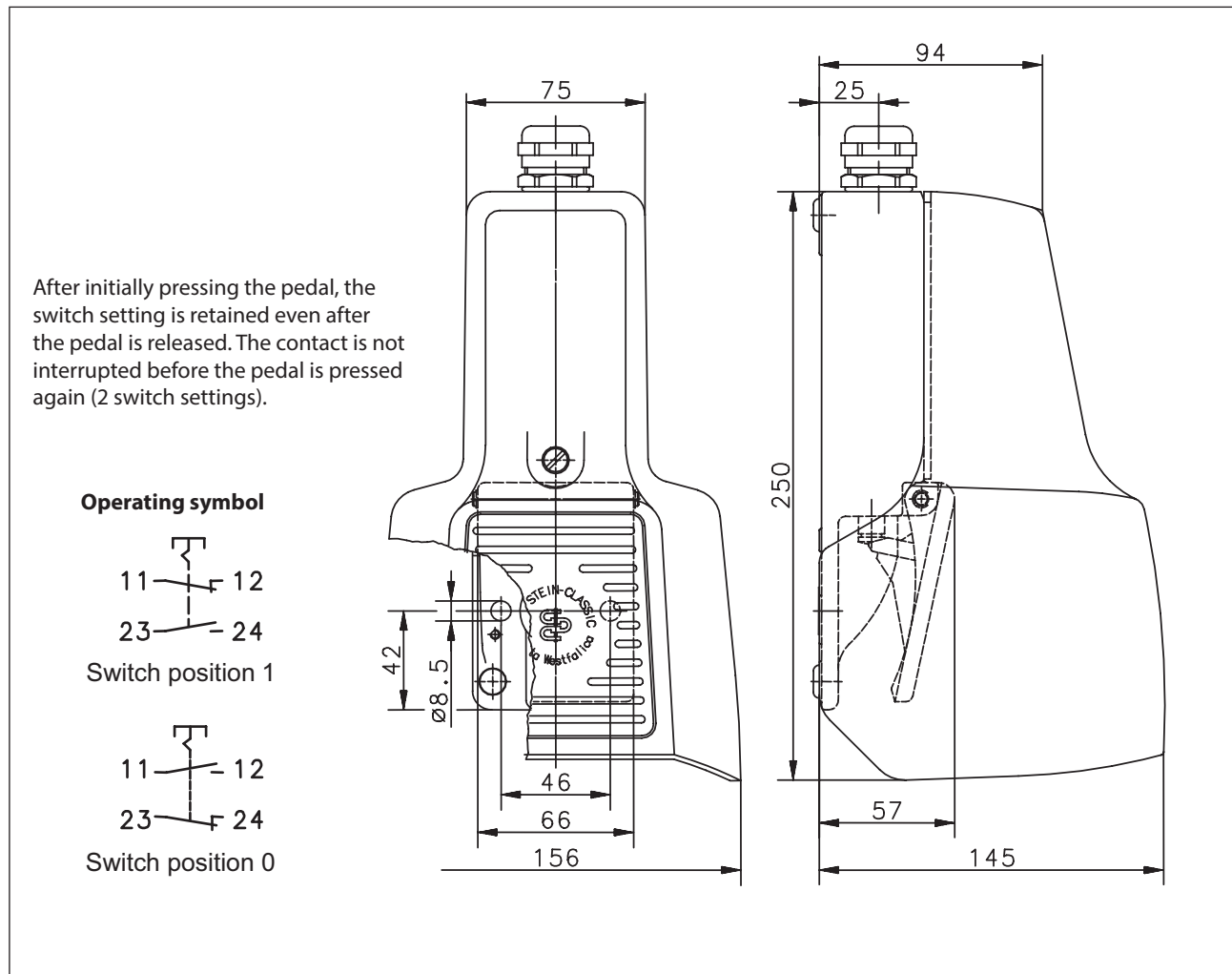


## Foot-switch Series F1

Description **F1-U1Y UN**

Article number **6161600295**



### Electrical data

|                                 |           |                                |
|---------------------------------|-----------|--------------------------------|
| Rated insulation voltage        | $U_i$     | 400 V AC                       |
| Conv. thermal current           | $I_{the}$ | 10 A                           |
| Rated operational voltage       | $U_e$     | 240 V                          |
| Utilization category            |           | AC-15, $U_e$ 240 V / $I_e$ 3 A |
| Short-circuit protective device |           | Fuse 10 A gG                   |
| Protection class                |           | I                              |

| Mechanical Data                                    |  |
|--|--|
| Enclosure  | AL   |
| Protective guard<br>(Accident protection cover UN) | AL   |
| Actuator   | Foot lever (PA)  |
| Ambient air temperature                            | -30 °C ... +80 °C  |
| Contact type                                       | 1 N.C. / 1 N.O. (Zb) with latching   |
| Operating force                                    | ≈ 10 N (pedal centre)  |
| Mechanical life                                    | 1 x 10 <sup>6</sup> switching cycles   |
| Switching frequency                                | ≤ 50/min   |
| Assembly   | 2 x M8   |
| Connection   | Screw connections (M3,5)   |
| Number of connections                              | 4  |
| Protection ground                                  | 2 x M4   |
| Conductor cross-sections                           | Solid: 0,5 ... 1,5 mm <sup>2</sup><br>Litz wire with ferrules: 0,5 ... 1,5 mm <sup>2</sup> |
| Cable entry size                                   | 1 x cable gland M20 x 1,5 (clamping range 6-12 mm)   |
| Weight including protective guard                  | ≈ 1,5 kg   |
| Protection type                                    | IP 65 acc. to IEC/EN 60529   |

| ID for safety engineering |                            |
|---------------------------|----------------------------|
| B10d                      | 2 x 10 <sup>6</sup> cycles |

| Standards |                    |
|-----------|--------------------|
|           | DIN EN 60947-5-1   |
|           | DIN EN ISO 13849-1 |

| EU Conformity |  |
|---------------|--|
|               | acc. to directive 2014/35/EU (Low-Voltage-Directive) |

| Approvals |   |
|-----------|---|
|           | cCSA <sub>US</sub> A300 (same polarity) |

| Notes  |  |
|--|--|
| The specified protection classification (IP code) applies only when the cover is closed and the appropriate cable is used, in accordance with the clamping range of the above mentioned cable gland. |  |