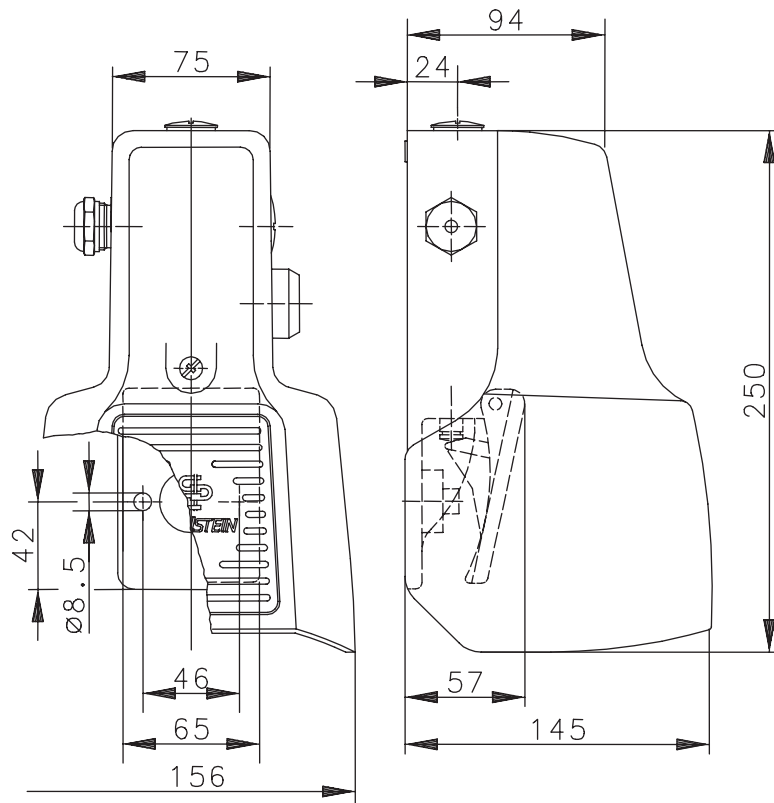
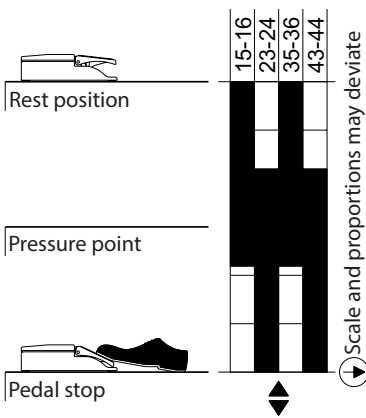


Foot-switch Series F1

Description **F1-UV1ZUV1ZDR UN**

Article number **6161000571**

Operating diagram



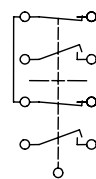
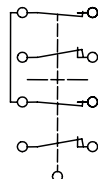
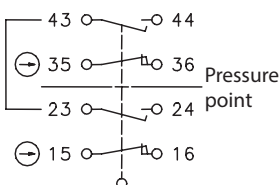
Switching symbol

(Three-Step-Safety Switch with latching function „Off-On-OFF“)

1. position
Off-position

2. position
On-position

3. position
Latch-position



To reach the 3rd position,
the tactile touch has to be
surmounted.

Electrical Data		
Rated insulation voltage	U_i	400 V AC
Conv. thermal current	I_{the}	10 A
Rated operational voltage	U_e	240 V
Utilization category		AC-15, U_e / I_e 240 V / 3 A
Direct opening action	⊖	acc. to IEC/EN 60947-5-1, annex K
Short-circuit protective device		Fuse 10 A gG
Protection class		I

Mechanical data	
Enclosure	AL, die-cast
Protective guard (Accident protection cover UN)	AL, die-cast
Actuator	Foot lever (PA)
Ambient air temperature	-30 °C to +80 °C
Contact type	2 NC, 2 NO. (Zb)
Operating force (pedal centre)	≈ 10 N
Pressure point	≈ 200 N
Mechanical life	
without actuating the pressure point	10 x 10 ⁶ operating cycles
with actuating the pressure point	1 x 10 ⁶ operating cycles
Switching frequency	max. 50/min
Assembly	2 x M8
Connection	screw connections (M3,5)
Number of connections	8 (see switching symbols)
Protection ground	2 x M4
Conductor cross-sections	Solid: 0,5 ... 1,5 mm ² Litz wire with ferrules: 0,5 ... 1,5 mm ²
Cable entrance	1 x cable gland M20 x 1,5 (clamping-range 6 – 12 mm); 2 x blind cap M20 x 1,5
Weight	≈ 1,5 kg
Protection type	IP65 in accordance with IEC/EN 60529

ID for safety engineering	
B10d	20 x 10 ⁶ cycles

Regulations	
	DIN EN 60947-5-1
	DIN EN ISO 13849-1

EU Conformity	
	acc. to directive 2006/42/EC (Machinery Directive)

Approvals	
	cCSA _{US} , A300, Q300 (same polarity)
	CCC

Function
<p>Three-stage safety switch with latching The safety contact element consists of two adjoining switching systems which guarantee a normal workflow and in the case of an emergency the safety function "emergency-stop".</p> <ol style="list-style-type: none"> <li data-bbox="143 443 1434 499">1. The normal workflow is initiated by pressing down the pedal to the pressure point, whereby the contacts 23 – 24 and 43 – 44 are closed. <li data-bbox="143 499 1434 611">2. In the case of an emergency, the pedal is pressed as far as it will go beyond the pressure point. The NC contacts (15 – 16 and 35 – 36) are force-opened and thereby the work process stops. At the same time, the automatic latching function is activated and holds the contacts (15 – 16 and 35 – 36) in "emergency-stop position". This reliably prevents uncontrolled restart of the machine or moving parts. <p>Safety for man and machine!</p> <ol style="list-style-type: none"> <li data-bbox="143 645 1434 701">3. Only after the release of the pushbuttons on the side of the enclosure, the contacts will be released again and can be closed again by pressing the pedal beyond resistance of the pressure point. <p>The working process continues.</p>

Notes
<p>The specified protection classification (IP code) applies only when the cover is closed and the appropriate cable is used, in accordance with the clamping range of the above mentioned cable gland.</p>