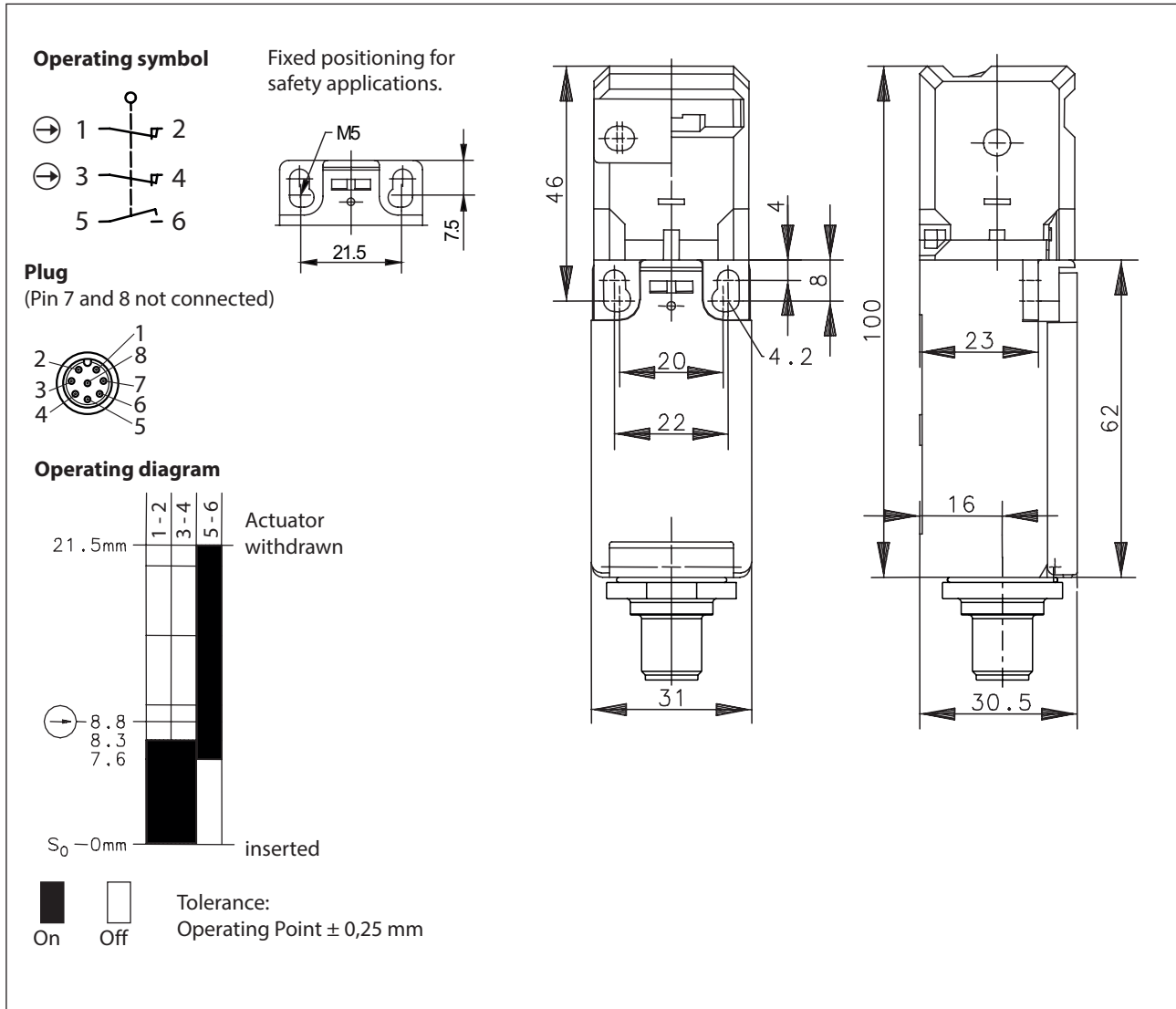


Safety switch

Series SKI

Description **SKI-UV15Z M12**

Article number **6116869404**

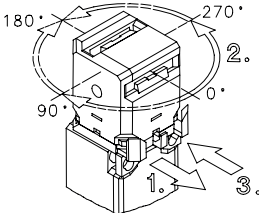


Electrical Data

Rated insulation voltage	U_i	30 V
Conv. thermal current	I_{the}	1,5 A
Utilization category		AC-15, U_e/I_e 30 V / 1,5 A
Direct opening action	\ominus	acc. to IEC/EN 60947-5-1, annex K
Short-circuit protective device		Fuse 6 A gG
Protection class	\square	II

Mechanical data	
Enclosure	Polyamide PA6 GF FR (UL94-V0)
Cover	Polyamide PA66/6 GF FR (UL94-V0)
Extraction force	10 N
Ambient air temperature	-30° C ... +80° C
Contact type	2 NC, 1 NO (Zb)
Mechanical life	1 x 10 ⁶ operating cycles
Switching frequency	≤ 30 / min.
Assembly	2 x M4 / 2 x M5 for safety applications
Connection	Plug M12x1, A-coded
Weight	≈ 0,12 kg
Installation position	operator definable
Protection type	IP65 acc. to IEC/EN 60529

ID for safety engineering	
B10d	2 x 10 ⁶ cycles (@ DC-13; 24 V; I _{e2} = 0,1 A)

Actuation	
To achieve the 8 different actuator points please follow the next instructions	
<ol style="list-style-type: none"> (1) pull fixing clamp (2) turn actuator (3) push fixing clamp 	

Standards	
	DIN EN 60947-5-1
	DIN EN ISO 13849-1
	DIN EN ISO 14119

EU Conformity	
	acc. to directive 2006/42/EC (Safety-of-Machinery-Directive)

UK Conformity	
	Supply of Machinery (Safety) Regulations 2008, 2008 No. 1597

Approvals	
	TÜV Rheinland, Product Safety
	cCSA _{US} B300 (same polarity)

Notes

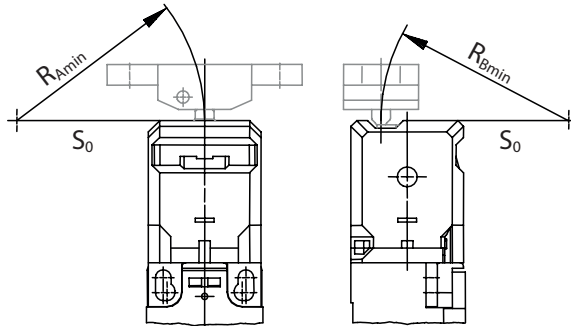
The specified degree of protection (IP code) of the safety switch only applies when the cover is closed and an at least equivalent cable gland with corresponding cable or corresponding cable coupling is used.

The arrangement and fastening of the safety switch and actuator must be carried out in accordance with DIN EN ISO 14119.

With radius actuation, the mechanical service life may be reduced.

The minimum radii can be found in the data sheet of the respective actuator or in the operating and mounting instructions of the switchgear and apply to a pivot point on the level of the upper edge of the enclosure S_0 .

The actuator slot that is not used must be closed by the cover.



R_{Amin} and R_{Bmin} depend on the actuator.

Applies accordingly also to lateral retraction directions.