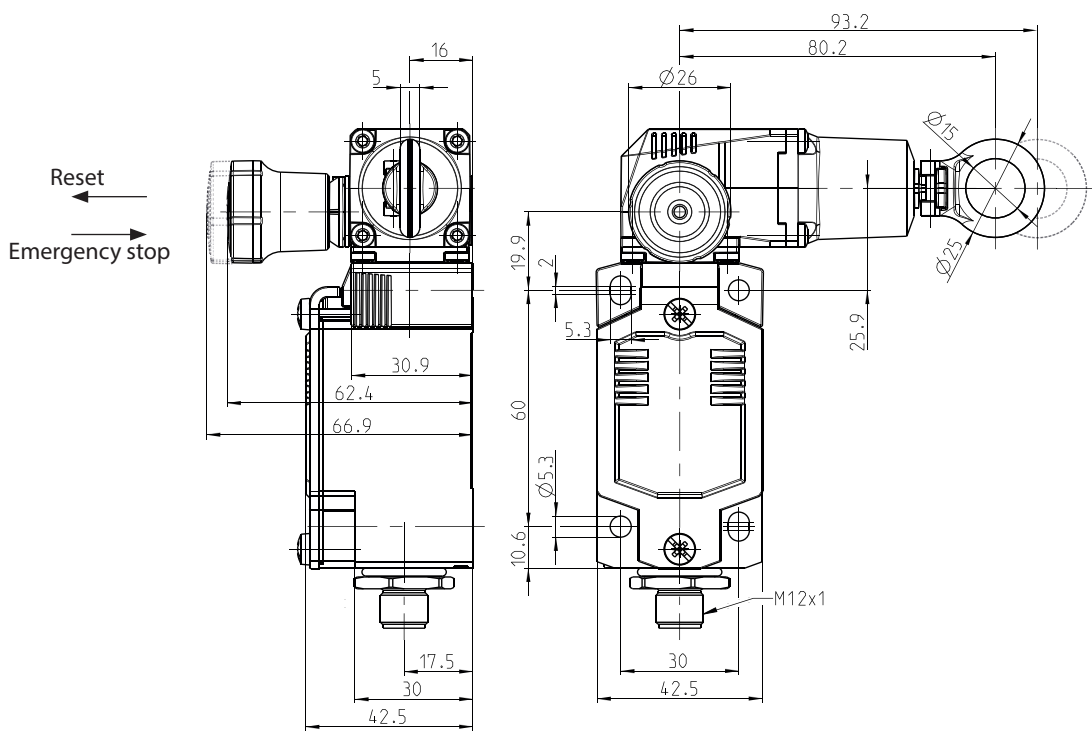


Safety rope pull switch

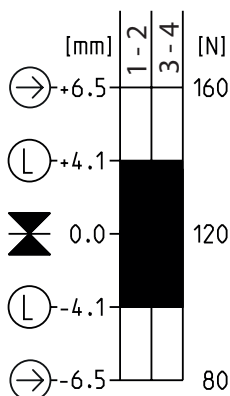
Series SRO

Description **SRO-M78-20-HR30-2-04**

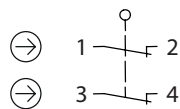
Article number **6112861400**



Operating diagram

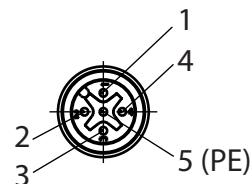


Operating symbol



Tolerance:
 Operating point $\pm 0,5$ mm
 Operating force ± 15 %

Plug



Electrical Data		
Rated insulation voltage	U_i	63 V
Rated impulse withstand voltage	U_{imp}	4 kV
Rated operational voltage	U_e	60 V AC / 24 V DC
Rated supply frequency AC		50 / 60 Hz
Overvoltage category		II acc. EN 60947-1 annex H table H1
Conv. thermal current	I_{the}	3 A
Minimum current		1 mA
Utilization category		AC 15, U_e/I_e 60 V / 3 A; DC 13, U_e/I_e 24 V / 1,5 A
Direct opening action	⊙	acc. IEC/EN 60947-5-1, annex K; direct opening force: 180 N
Short-circuit protective device		Fuse 4 A gG
Rated conditional short-circuit current		400 A
Protection class		I

Mechanical data	
Enclosure	Die-cast aluminium
Cover	Sheet aluminium
Actuator	Pull ring (Zn-die cast)
Emergency stop	Thermoplastic, glass fibre reinforced (UL 94-V0)
Ambient air temperature	-30 °C ... +75 °C
Storage temperature	-40 °C ... +80 °C
Protection type	IP66 / IP67 acc. EN 60529; Type 4X
Pollution degree (built-in switch)	3
Contact material	silver
Device Class (built-in switch)	Category E (MC3+CC2+SC1) acc. EN 60947-1 annex Q
Contact type	2 N.C. (Form Zb)
Latching device	acc. to IEC 60947-5-5, DIN EN 60947-5-5, ISO 13850 (DIN EN 418)
Reset facility	pull of the emergency stop acc. to IEC/EN 60947-5-5
Switching frequency	≤ 20 / min.
Mechanical life	1 x 10 ⁵ operating cycles
Mission time	≤ 20 years
Rope length	≤ 30 m (depends on the max. temperature variation)
Rope Ø	D = Ø 2 - 5 mm
Connection	Plug M12x1, 5-pin A-coded
Earth bolt	1 x M3,5
Weight	≈ 0,480 kg
Installation position	operator definable

Actuation
By lifting the clamp the actuation assembly can be rotated in 90° increments. The actuation assembly is to be again fastened to the housing by lowering the clamp.

Characteristics for functional safety (electrical und mechanical; @ DC-13; 24 V; $I_{e2} = 0,1$ A)	
B10d N.C.	2 x 10 ⁵ cycles

Standards	
	DIN EN 60947-5-1
	DIN EN 60947-5-5,
	UL 508 / CSA C22.2 No.14
	ISO 13850
	DIN EN ISO 13849-1

EU Conformity	
	acc. to directive 2006/42/EC (Safety-of-Machinery-Directive)

Approvals	
	CCC
	cUL _{US}
	DGUV

Notes	
<p>The degree of protection specified (IP code) applies only to a properly closed cover and the use of an equivalent connector. The connector and the cable (fix or flexible mounted) must at least be suitable for the described ambient air temperatures. The connector must not be connected or disconnected when voltage is applied. The mechanical life of the connector is 100 connection cycles.</p>	