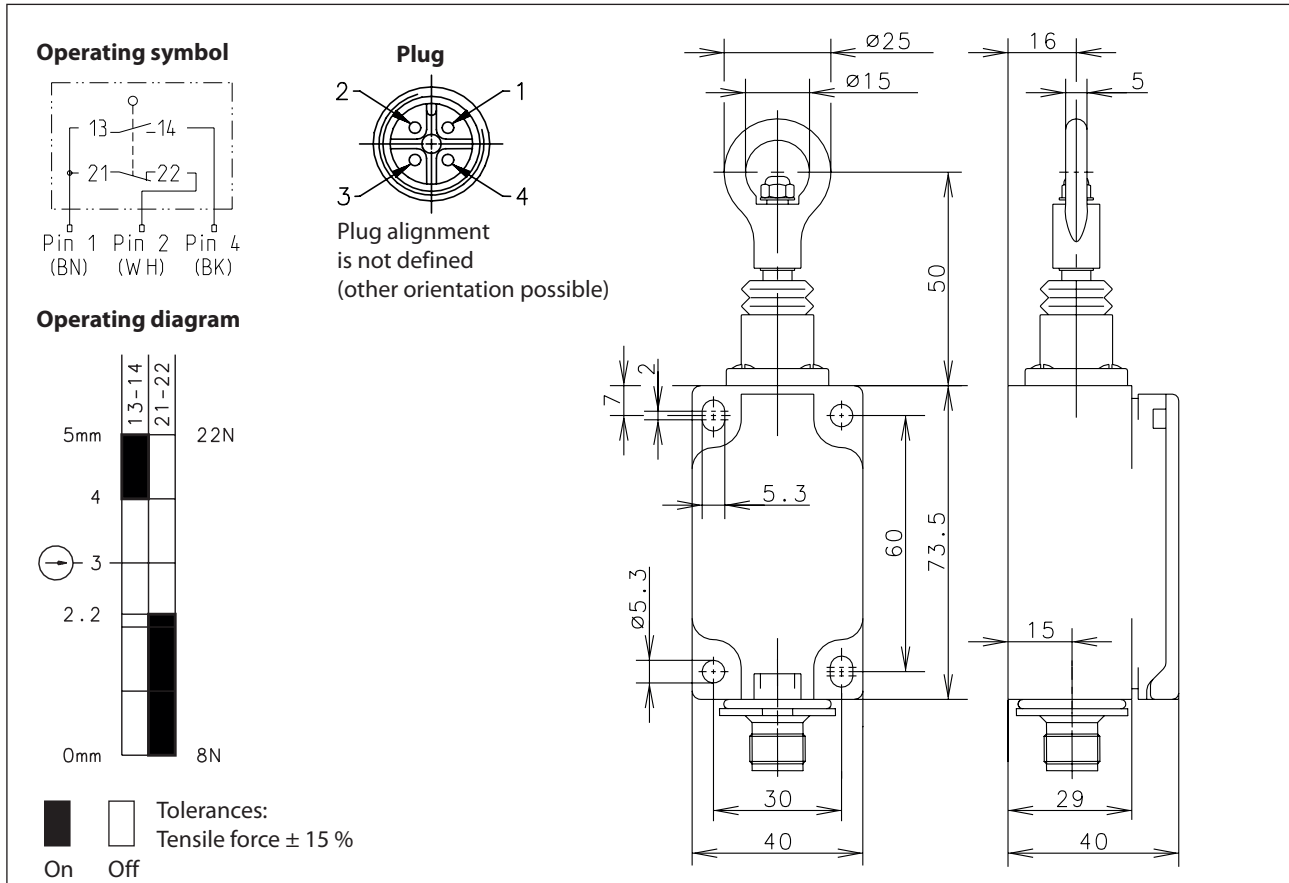


Rope pull switch

Series SEK

Description **SEK-U1Z**

Article number **6111811384**



Electrical data		
Rated insulation voltage	U_i	250 V AC
Conv. thermal current	I_{the}	2,5 A
Rated operational voltage	U_e	36 V
Utilization category		AC-15, U_e / I_e 36 V / 0,75 A
Positive opening NC contact	⊕	acc. to IEC/EN 60947-5-1, Annex K
Short-circuit protective device		Fuse 2 A gG
Protection class		II, totally insulated

Mechanical data	
Enclosure	Thermoplastic, glass fibre reinforced
Cover	Thermoplastic, glass fibre reinforced
Actuator	Pull ring (Zn-die cast; rotatable, without stop)
Ambient air temperature	-30 °C ... +80 °C
Contact type	1 NC, 1 NO (Zb)
Mechanical life	1 x 10 ⁶ operating cycles
Switching frequency	≤ 50 / min.
Assembly	4 x M5
Connection	Plug M12 x 1, A-Coded
Weight	≈ 0,22 kg
Installation position	Operator definable
Protection type	IP65 acc. to IEC/EN 60529

ID for safety engineering	
B10d - value	2 x 10 ⁶ switching cycles

Standards	
	DIN EN 60947-5-1

EU Conformity	
	acc. to directive 2011/65/EU (RoHS II)

Notes	
<p>The degree of protection specified (IP code) applies only to a properly closed cover and only in fully snapped - in or fully locked position with it's plugs. It is essential to use the appropriate cable and cable connection as stated in the electrical data. The plug may not be connected or disconnected according to the instruction manual (Voltage drop).</p>	