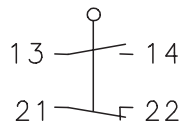


Rope pull switch Series SD

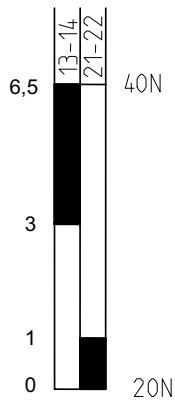
Description **SD-U1**



Article number **6111411407**

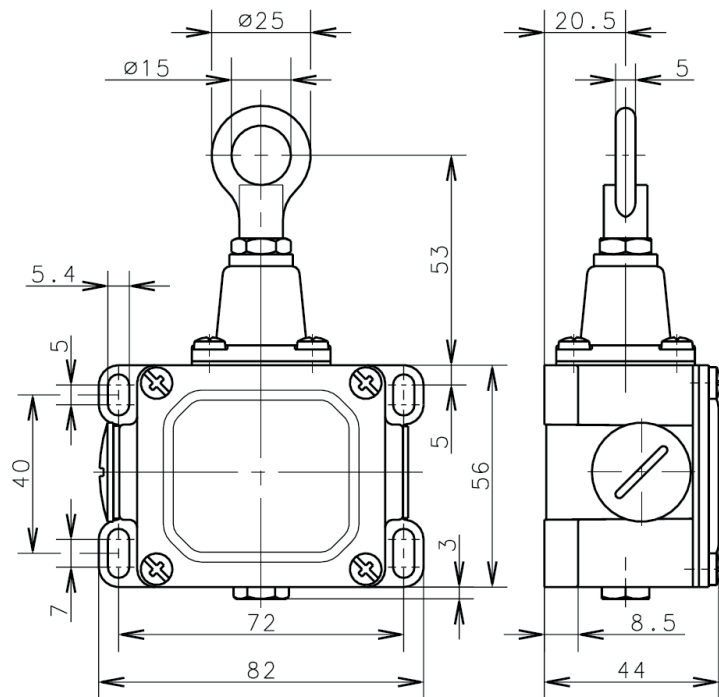
Operating symbol



Operating diagram (pretensioned installation)



 On
 Off
 Tolerance:
tensile force: $\pm 15\%$



Electrical Data

Rated insulation voltage	U_i	400 V AC
Conv. thermal current	I_{th}	16 A
Rated operational voltage	U_e	240 V
Utilization category		AC-15, U_e/I_e 240 V / 10 A
Short-circuit protective device		Fuse 10 A gG, 16 A gG
Protection class		I

Mechanical data	
Enclosure	Al-die cast
Cover	Al-plate
Actuator	Pull ring (Zn-die cast)
Ambient air temperature	-30° C ... +80° C
Contact type	1 NC, 1 NO (Za)
Mechanical life	1 x 10 ⁶ operating cycles
Switching frequency	≤ 50 / min.
Assembly	4 x M5
Connection	4 screw connections (M4)
Conductor cross-sections	Solid: 0,5 ... 1,5 mm ² or Litz wire with ferrules: 0,5 ... 1,5 mm ²
Cable entrance	2 x M20 x 1,5 (1 x plug, plastic; 1 x blind cap, nickel-plated brass)
Weight	≈ 0,35 kg
Installation position	operator definable
Protection type	IP65 acc. to IEC/EN 60529

ID for safety engineering	
B10	1 x 10 ⁶ cycles

Standards	
	DIN EN 60947-5-1

EU Conformity	
	acc. to directive 2014/35/EU (Low-Voltage-Directive)

Approvals	
	cCSA _{US} A300 (same polarity)
	CCC

Notes	
The degree of protection (IP code) specified applies solely to a property closed cover and the use of an equivalent cable gland with adequate cable.	