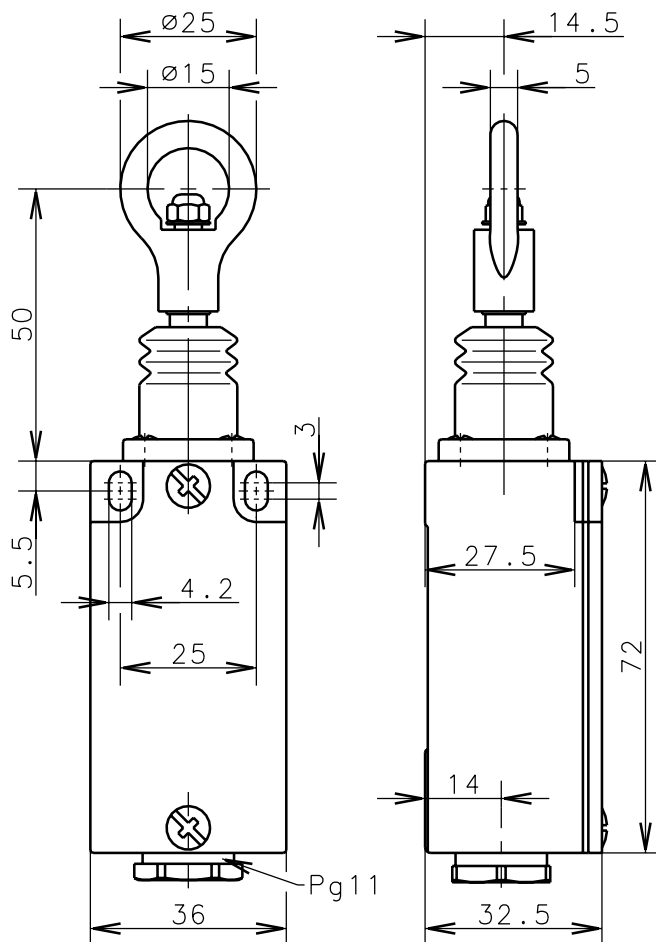
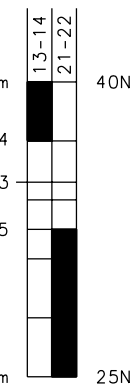
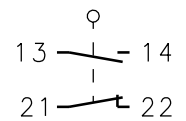


**Bernstein**Bernstein AG
Postfach 1164
D-32437 Porta Westfalica

Technical data sheet

SGC-U1Z

611.1211.057

Positive opening
operation according
to DIN EN 60947-5-1
IEC 947-5-1Switching
diagramSwitching
symbolTolerance of tensile force $\pm 15\%$ Schutzvermerk nach DIN 34 beachten
Copyright reserved

11.01.2001

Mechanical features

Enclosure: Al-die cast
Cover: Al-plate
Actuator: Pull ring

Ambient air temperature: -30°C up to $+80^{\circ}\text{C}$
Contact type: 1 NC-contact, 1 NO-contact (Zb)

Mechanical life: 1×10^6 switch frequency
Switch frequency: max. 50/min

Mounting: 2 x M4
Connection type: 4 screw connections (M3.5)
Cable entry size: 1 x semi cable gland Pg11
Weight: approx. 0,19 kg
Rest facility: -

Electrical features

Max. voltage: 500 V AC
Enduring current: 1 th 10A
Inrush current: accord. to IEC 947-5-1, AC 15, DC 13
Standards: accord. to EN 60204; EN 60947-1; EN 60947-5-1
Protection class (IP-Code): IP65 accord. to EN 60529; DIN VDE 0470 T1
CSA: 10A 300V AC, A300 same polarity
Short-circuit protection: Fuse 10A gL/gG, IEC/EN 60947-5-1, appendix K

Remarks

The moving parts should be oiled periodically.
Rope with accessories can be delivered on request.
The planned protection class (IP-Code) is valid only at closed cover.