

Safety switch

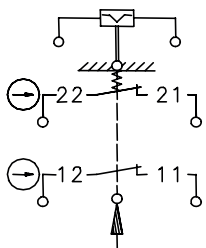
Series SGS

Description **SGS-SA2Z AK F3 230V**

Article number **6110888019**

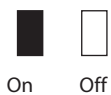
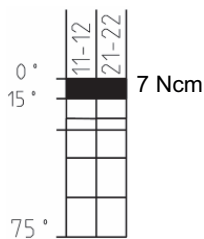
Operating symbol

Termination electromagnet with contact position

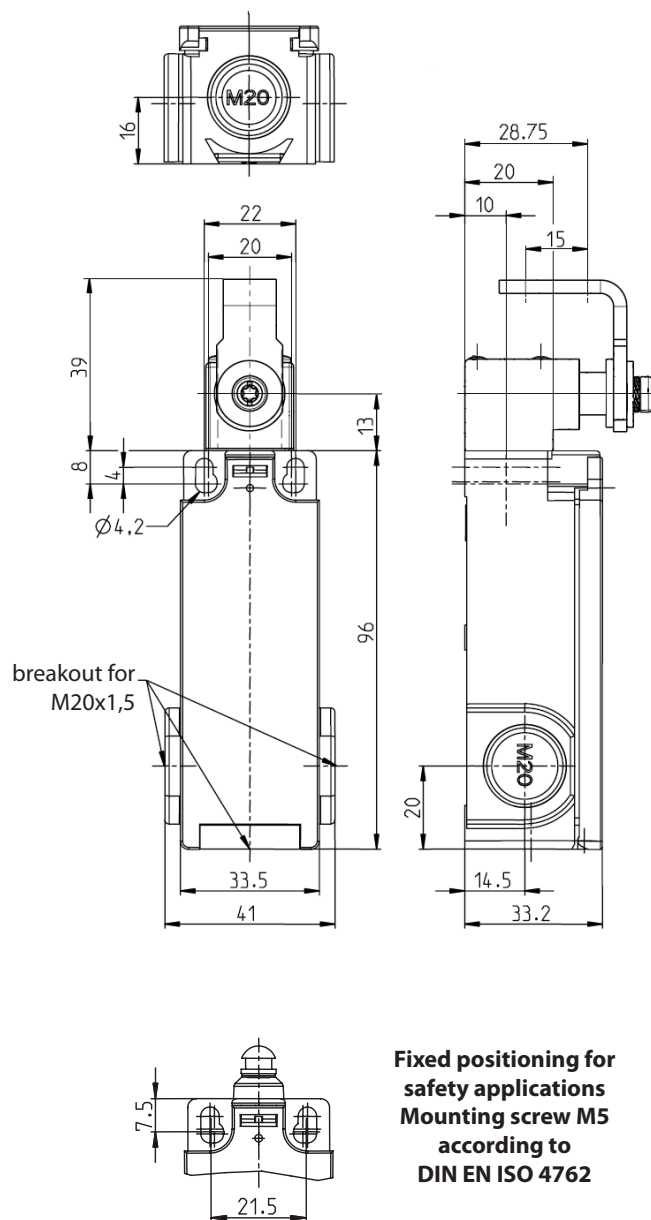


Operating diagram

(Return by E-magnet)



Tolerances:
Operating point $\pm 3,5^\circ$;
Operating force $\pm 30\%$



Fixed positioning for safety applications
Mounting screw M5 according to DIN EN ISO 4762

Elektrische Daten		
Electrical data		II, totally insulated
Protection class		
Contact elements	U_i	250 V AC
Rated insulation voltage	I_{the}	10 A
Conv. thermal current		AC-15, U_e / I_e 240 V / 3 A
Utilization category		DC-13, U_e / I_e 250 V / 0,27 A
Min. Voltage		24 V
Min. Current		5 mA
Direct opening action	\ominus	according to IEC/EN 60947-5-1, Annex K
Short-circuit protective device		Fuse 4 A gG
Electro magnets		
		with recovery diode
Temperature class		B (130 °C)
Rated operational voltage	U_e	230 V AC -15 % / +10 %
Rated operational current	I_e	0,23 A -15 %
On-Time	ED	3 %
Min. On-Time	T_i	0,2 s
Max. On-Time	T_e	10 s
Min. Off-Time	T_p	180 s

Mechanical data		
Enclosure		Thermoplastic GV self-extinguishing
Cover		Thermoplastic GV self-extinguishing
Actuating		Lever arm housing, lever (st)
Velocity for actuating	V_{max}	0,5m/s
Ambient air temperature		-25 °C ... +50 °C
Contact type		2 NC (Zb)
Switching principle		Magnetic snap action, bistable
Mechanical life		5 x 10 ⁴ operating cycles
Assembly		2 x M4 / 2 x M5 for safety applications
Connection - contact elements		4 screw terminals (M3,5)
Conductor cross-sections		Solid: 0,5 ... 1,5 mm ² Litz wire with ferrules: 0,5 ... 1,5 mm ²
Connection - Electro magnets		2x butt connector similar to DIN 46341 (crushing zone 0,5 – 1,5 mm ²)
Cable entrance		3x M20x1,5 breakout, left, right and upside
Installation position		Operator definable
Contact opening		4 x >2 mm
Protection type		IP65 acc. to IEC/EN 60529

Anfahrmöglichkeiten

By loosening the 4 screws the actuation assembly can be rotated in 90 degree increments such that 4 actuation directions are possible. The actuation assembly is to be again fastened to the housing using the 4 screws.

Standards

VDE 0660 T100, DIN EN 60947-1, IEC 60947-1

VDE 0660 T200, DIN EN 60947-5-1, IEC 60947-5-1

DIN EN 81-1, 81-2; 81-20

EU Conformity

acc. to directive 2014/35/EU (Low-Voltage-Directive)

Notes

The degree of protection (IP code) specified applies solely to a property closed cover and the use of an equivalent cable gland with adequate cable.

The switch may not be used as a mechanical stop.