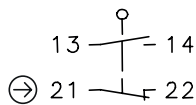


Plastic bodied limit switch Series C2

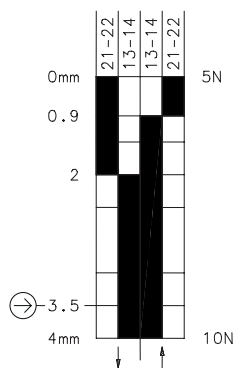
Description **C2-SU1Z ST HVG**

Article number **6108101045**

Operating symbol

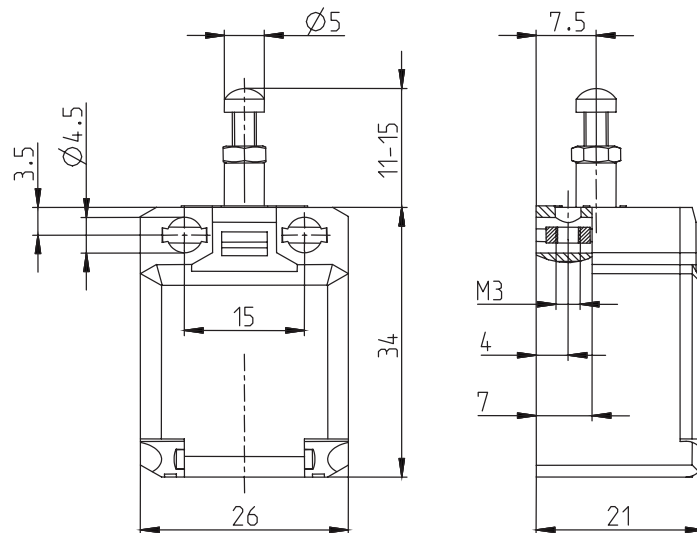


Operating diagram



On
 Off

Tolerance:
Operating point $\pm 0,25$ mm;
Operating force ± 10 %



Electrical Data

Rated insulation voltage	U_i	250 V AC
Conv. thermal current	I_{the}	10 A
Rated operational voltage	U_e	240 V
Utilization category		AC-15, U_e/I_e 240 V / 3 A
Direct opening action	\ominus	acc. to IEC/EN 60947-5-1, Annex K
Short-circuit protective device		Fuse 6 A gG
Protection class		II, totally insulated

