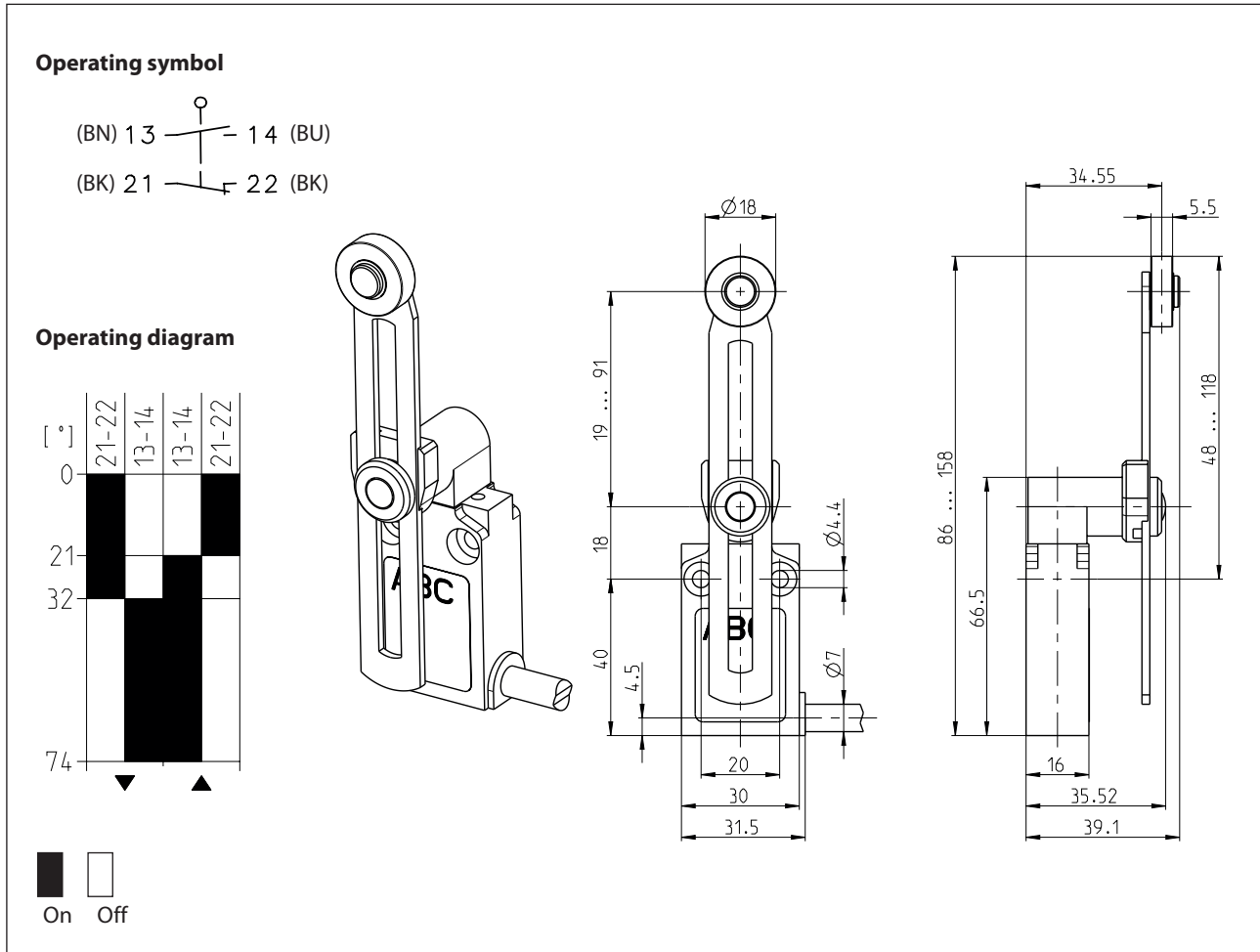


## Plastic bodied limit switch Series I49

Description **I49-SU1Z AV**

Article number **6089186079**



### Electrical Data

Rated insulation voltage  
acc. to DIN EN 60947-1  
acc. to UL 508 and CSA C22-2 n° 14

$U_i$  400 V (degree of pollution 3)  
B300, R300

Conv. thermal current  
acc. to DIN EN 60947-5-1) 0 < 40 °C

$I_{the}$  10 A

Rated operational voltage

$U_e$  240 V

Utilization category

AC-15, 24 V - 10 A / 240 V - 3 A  
DC-13, 24 V - 2.8 A / 125 V - 0.55 A / 250 V - 0.27 A

Short-circuit protective device  
 $U_e < 500$  V a.c. - gG type fuses

Fuse 10 A gG

Protection class

II, totally insulated

Mechanical data	
Enclosure	Pre-wired, Double insulation, Plastic Casing IP67, 30 mm width (polymeric)
Actuator	Lever (galvanized), roller Ø18 mm (nylon)
Ambient air temperature	
-during operation	-25 °C ... +70 °C
-for storage	-40 °C ... +70 °C
Contact type	Snap action, 1 NO, 1 NC
Mechanical life	10 x 10 <sup>6</sup> switching cycles
Switching frequency	60 / min
Resistance between contacts	< 25 mΩ
Connection	PVC 4 x 0,75 mm <sup>2</sup> UL cable, 1m length
Installation position	All positions are authorized
Protection type	IP67 acc. to IEC/EN 60529

Standards	
	DIN EN 60947-1
	DIN EN 60947-5-1

EU Conformity	
	acc. to directive 2014/35/EU (Low-Voltage-Directive)

Approvals	
	cUL <sub>US</sub>
	CCC (in preparation)

Notes	
	Type 1 enclosure ("indoor use only") acc. to UL50