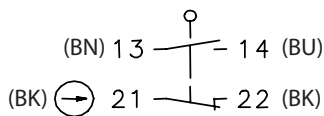


Plastic bodied limit switch Series I49

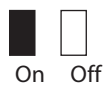
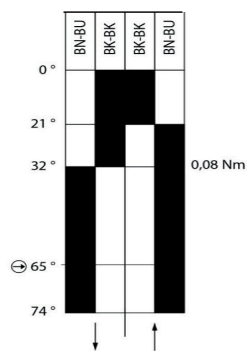
Description **I49-SU1Z AH Z**

Article number **6089185066**

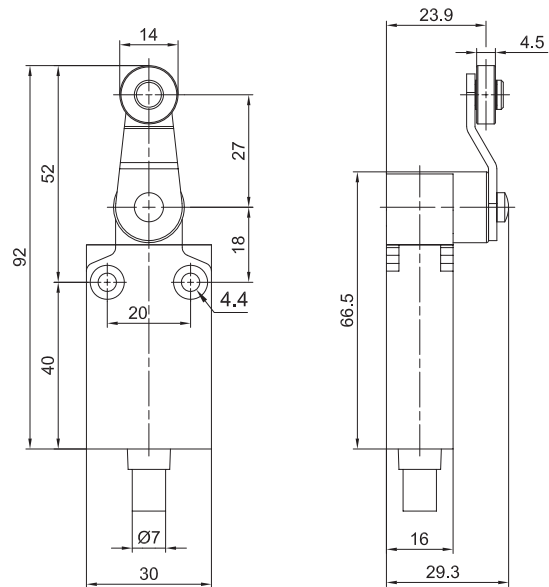
Operating symbol



Operating diagram



Tolerance:
Operating points $\pm 1^\circ$
Direct opening action $\pm 1^\circ$
Operating force $\pm 0,01\text{Nm}$



Electrical Data

Rated insulation voltage	U_i 400 V (degree of pollution 3)
Conv. thermal current acc. to DIN EN 60947-5-1) $0 < 40^\circ\text{C}$	I_{the} 10 A
Rated operational voltage	U_e 240 V AC / 24 V DC
Utilization category	AC15, 240V/3A DC13, 24V/2,8A
Direct opening action	\ominus 0,28 Nm acc. to IEC/EN 60947-5-1
Short-circuit protective device $U_e < 500\text{ V a.c.}$ - gG type fuses	Fuse 10 A gG
Protection class	II, totally insulated

Mechanical data	
Enclosure	Plastic
Actuator	Turret head (Zn die-casting), Lever (galvanized), roller Ø14 mm (nylon)
Ambient air temperature	
-during operation	-25 °C ... +70 °C
-for storage	-40 °C ... +70 °C
Contact type	Snap action, 1 NO, 1 NC (Form Zb)
Mechanical life	10 x 10 ⁶ switching cycles
Switching frequency	60 / min
Velocity for actuating	1,5 m/s
Resistance between contacts	25 mΩ
Connection	PVC 4 x 0,75 mm ² UL cable, 1m length
Weight	175 g
Installation position	All positions are authorized
Protection type	IP67 acc. to IEC/EN 60529

ID for safety engineering	
B10d	20 x 10 ⁶ cycles

Standards	
	DIN EN 60947-5-1

EU Conformity	
	acc. to directive 2014/35/EU (Low-Voltage-Directive)

Approvals	
	cUL _{US} (B300, R300)
	CCC

Notes	
	Type 1 enclosure ("indoor use only") acc. to UL50