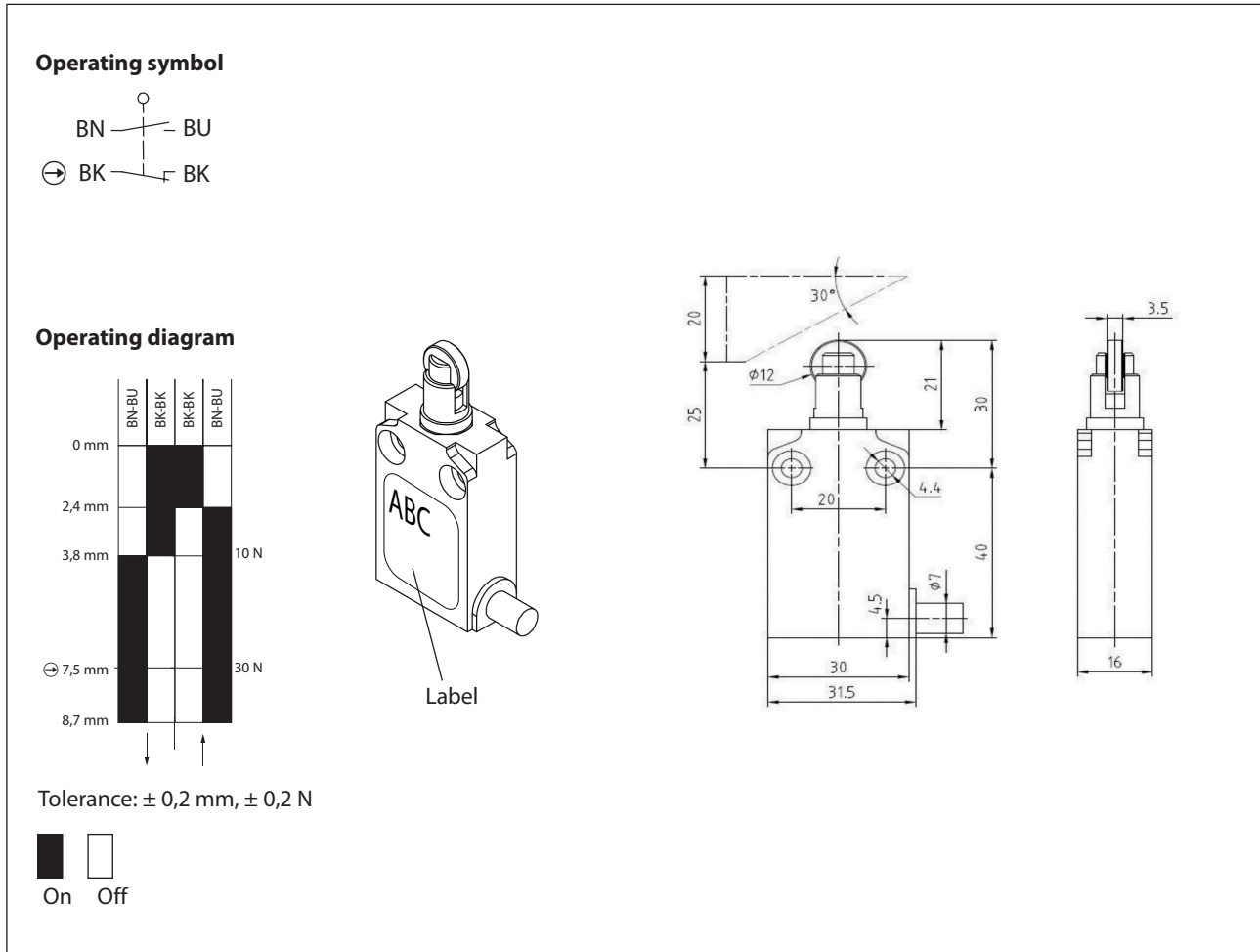


Plastic bodied limit switch Series I49

Description **I49-SU1Z RIW**

Article number **6089167052**



Electrical Data		
Rated insulation voltage	U_i	400 V
Conv. thermal current	I_{the}	10 A
Rated operational voltage	U_e	240 V _{AC} / 24 V _{DC}
Utilization category		AC-15, 240 V / 3 A; DC-13, 24 V / 2,8 A
Direct opening action	⊖	acc. to IEC/EN 60947-5-1
Short-circuit protection		Fuse 10 A gG
Protection class	⊠	II

Mechanical data	
Enclosure	Plastic Casing
Actuator	Plunger (stainless steel), roller (galvanized steel)
Ambient air temperature	
-during operation	-25 °C ... +70 °C
-for storage	-40 °C ... +70 °C
Contact type	1 NC, 1 NO (Zb)
Mechanical life	10 x 10 ⁶ switching cycles
Switching frequency	≤ 60 / min
Resistance between contacts	25 mΩ
Operating speed	0,1 m/s
Connection	PVC 4 x 0,75 mm ² UL cable, 1 m length
Installation position	All positions are authorized
Protection type	IP67 acc. to IEC/EN 60529

ID for safety engineering	
B10d	20 x 10 ⁶

Standards	
	DIN EN 60947-5-1

EU Conformity	
	acc. to directive 2014/35/EU (Low-Voltage-Directive)