

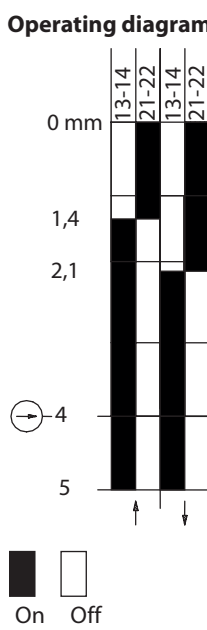
Plastic bodied limit switch
Series I49

| | |
|--------------------------------|----------------------------------|
| Description I49-SU1Z IW | Article number 6089152048 |
|--------------------------------|----------------------------------|

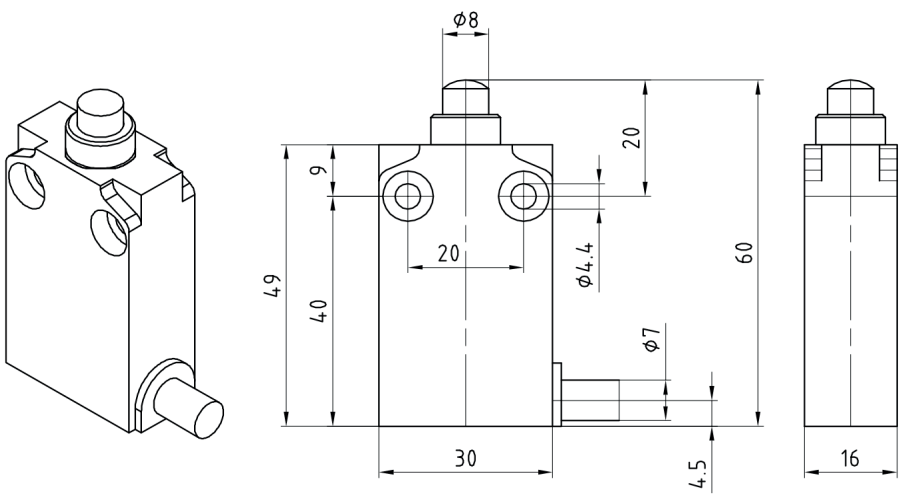
Operating symbol

(BN) 13 — 14 (BU)
(BK) \rightarrow 21 — 22 (BK)

Operating diagram



Operating diagram



On Off

| Electrical Data | |
|---|---|
| Rated insulation voltage acc. to DIN EN 60947-1 acc.to UL 508 and CSA C22-2 n° 14 | U_i 400 V (degree of pollution 3) B300, R300 |
| Conv. thermal current acc. to DIN EN 60947-5-1) 0 < 40 °C | I_{the} 10 A |
| Rated operational voltage | U_e 240 V |
| Utilization category | AC-15, 24 V - 10 A / 240 V - 3 A DC-13, 24 V - 2.8 A / 125 V - 0.22 A / 250 V - 0.27 A |
| Direct opening action | \rightarrow acc. to IEC/EN 60947-5-1 |
| Short-circuit protective device $U_e < 500$ V a.c. - gG type fuses | Fuse 10 A gG |
| Protection class | II, totally insulated |

| Mechanical data | |
|-----------------------------|--|
| Enclosure | Pre-wired, Double insulation, Plastic Casing IP67, 30 mm width (polymeric) |
| Actuator | Plunger (nikel-plated) |
| Ambient air temperature | -during operation -25 °C ... +70 °C -for storage -40 °C ... +70 °C |
| Contact type | Snap action, 1 NO, 1 NC |
| Mechanical life | 10 x 10 ⁶ switching cycles |
| Switching frequency | 60 / min |
| Velocity for actuating | 0,5 m/s |
| Resistance between contacts | < 25 mΩ |
| Connection | PVC 4 x 0,75 mm ² UL cable, 1m length |
| Installation position | All positions are authorized |
| Protection type | IP67 acc. to IEC/EN 60529 |

| ID for safety engineering | |
|---------------------------|-----------------------------|
| B10d N.C. | 20 x 10 ⁶ cycles |
| B10d N.O. | 1 x 10 ⁶ cycles |

| Standards | |
|-----------|--------------------|
| | DIN EN 60947-5-1 |
| | DIN EN ISO 13849-1 |

| EU Conformity | |
|---------------|--|
| | acc. to directive 2014/35/EU (Low-Voltage-Directive) |

| Approvals | |
|-----------|-------------------|
| | cUL _{US} |

| Notes | |
|-------|---|
| | Type 1 enclosure ("indoor use only") acc. to UL50 |