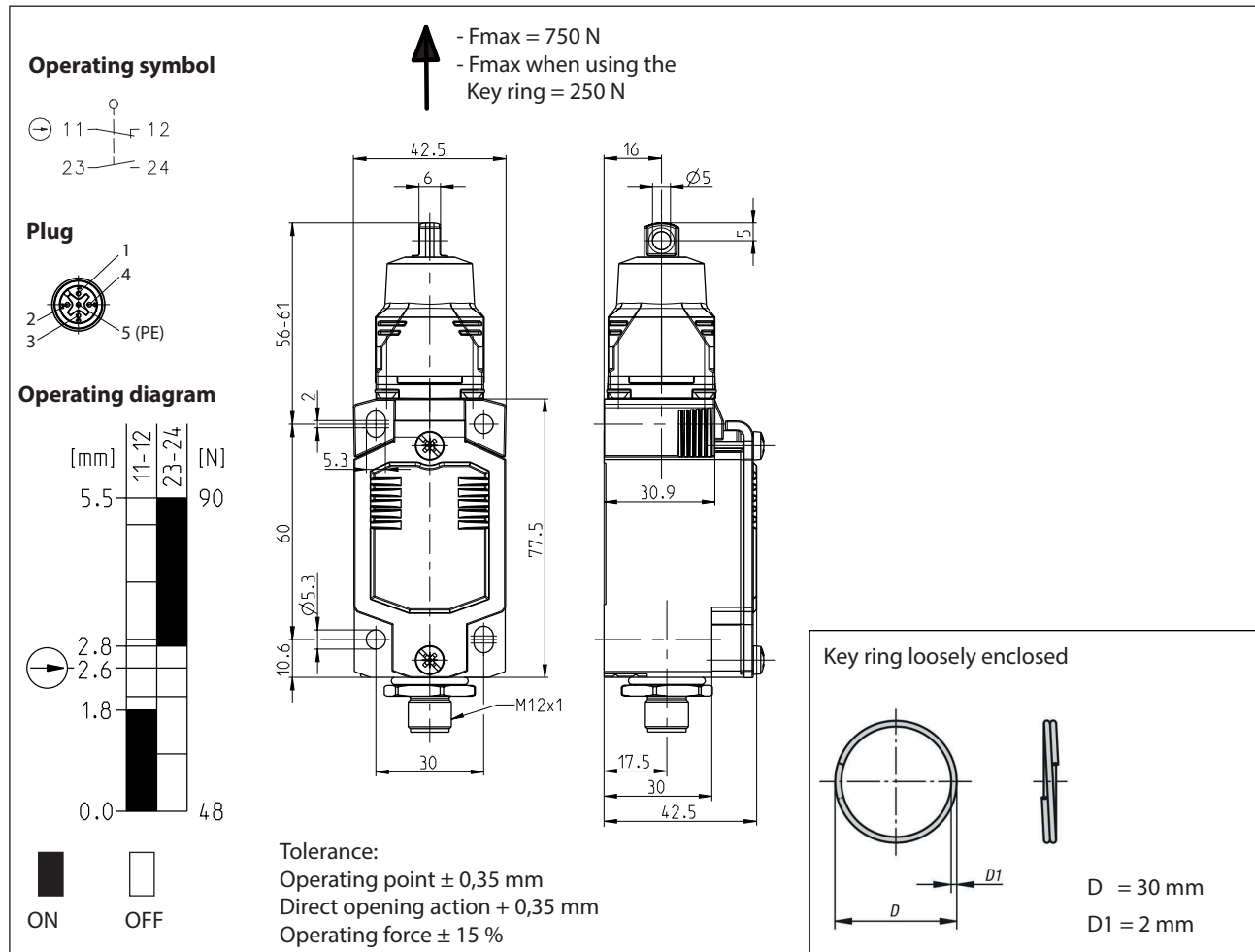


# Rope pull switch

## Series MN78

Description <b>MN78-11 RP 04</b>	Article number <b>6087000128</b>
----------------------------------	----------------------------------



Electrical Data		
Rated insulation voltage	U <sub>i</sub>	63 V
Rated impulse withstand voltage	U <sub>imp</sub>	1,5 kV
Rated operational voltage	U <sub>e</sub>	60 V AC / 24 V DC
Rated supply frequency AC		50 / 60 Hz
Overvoltage category		II acc. EN 60947-1 annex H table H1
Conv. thermal current	I <sub>the</sub>	3 A
Minimum current		1 mA
Utilization category		AC 15, U <sub>e</sub> /I <sub>e</sub> 60 V / 3 A; DC 13, U <sub>e</sub> /I <sub>e</sub> 24 V / 1,5 A
Direct opening action	⊖	acc. IEC/EN 60947-5-1, annex K
Short-circuit protective device		Fuse 4 A gG
Rated conditional short-circuit current		400 A
Protection class		I

Mechanical data	
Enclosure	Die-cast aluminium
Cover	Sheet aluminium
Actuator	Pull ring (Zn-die cast), secured against rotation
Key ring	Steel nickel plated
Operating temperature	-30 °C ... +75 °C
Storage temperature	-40 °C ... +80 °C
Protection type	IP66 / IP67 acc. EN 60529, Type 4X
Pollution degree (built-in switch)	3
Contact material	silver
Device Class (built-in switch)	Category E (MC3+CC2+SC1) acc. EN 60947-1 annex Q
Contact type	1 N.C. (Form Zb), 1 N.O.
Bounce duration	The value depends on the operating rate
Switchover time	The value depends on the operating rate
Switching frequency	≤ 60 / min.
Mechanical life	10 x 10 <sup>6</sup> operating cycles
Mission time	≤20 years
Connection	Plug M12x1, 5-pole, A-coded
Earth bolt	1 x M3,5
Weight	≈ 0,26 kg
Installation position	operator definable

Actuation
By lifting the clamp the actuation assembly can be rotated in 90° increments. The actuation assembly is to be again fastened to the housing by lowering the clamp.

ID for safety engineering	
B10d N.C.	20 x 10 <sup>6</sup> cycles
B10d N.O.	1 x 10 <sup>6</sup> cycles

Standards	
	DIN EN 60947-5-1
	UL 508 / CSA C22.2 No.14
	DIN EN ISO 13849-1
	DIN EN ISO 13849-2

EU Conformity	
	acc. to directive 2014/35/EU (Low-Voltage-Directive)

Approvals	
	CCC
	cULus

### Notes

The degree of protection (IP code) specified applies solely to a properly closed cover and the use of an equivalent cable gland with adequate cable.

The connector and the cable (fix or flexible mounted) must at least be suitable for the described ambient air temperatures.

The connector must not be connected or disconnected when voltage is applied.

The mechanical life of the connector is 100 connection cycles.

The key ring is enclosed loosely.