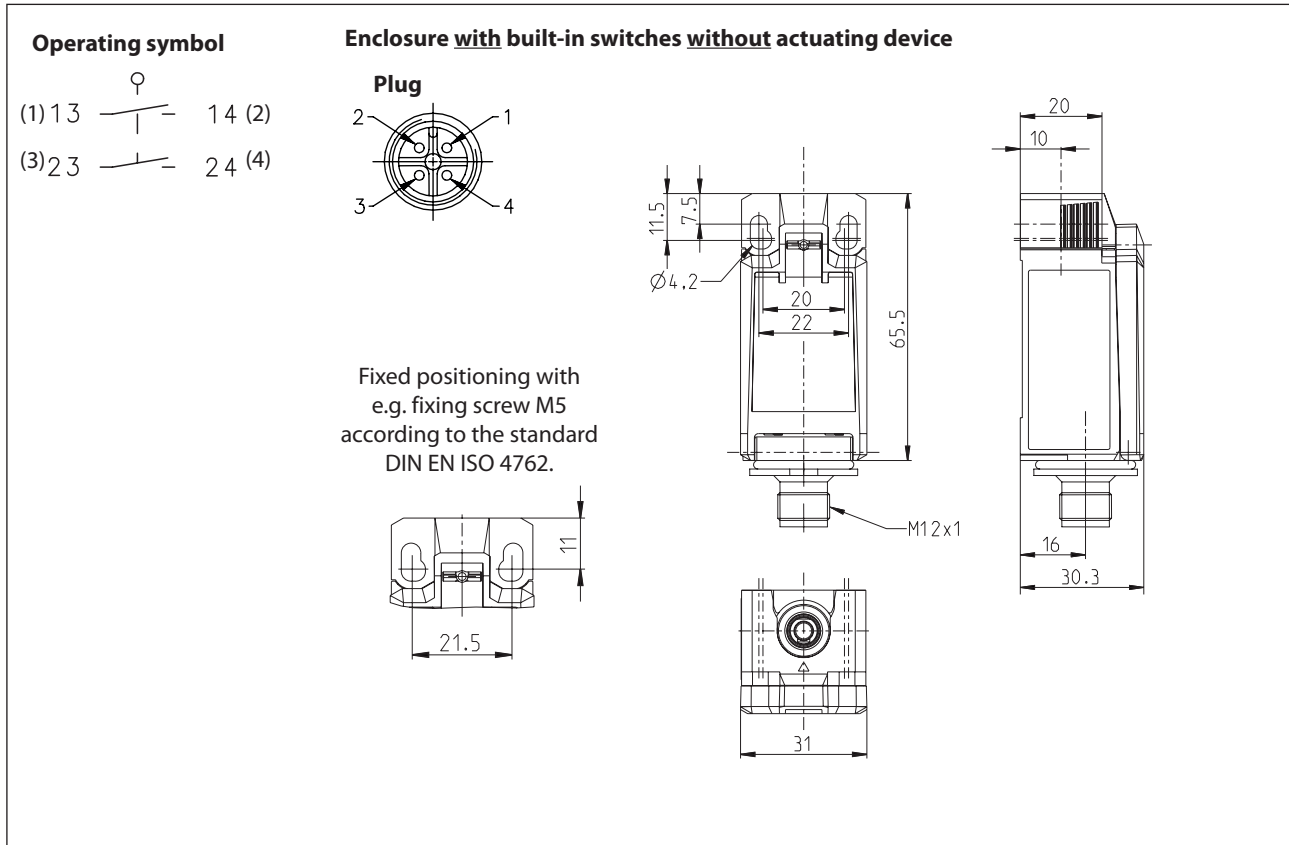


Plastic bodied limit switch Series IN65-modular system

Description **IN65-SE2 M12**

Article number **6083000295**



Electrical Data		
Rated insulation voltage	U_i	250 V
Rated impulse withstand voltage	U_{imp}	2,5 kV
Rated operational voltage	U_e	240 V AC / 24 V DC
Rated supply frequency AC		50 / 60 Hz
Overvoltage category		II acc. EN 60947-1 annex H table H1
Conv. thermal current	I_{the}	4 A
Minimum current		1 mA
Utilization category		AC 15, U_e/I_e 240 V / 3 A
Short-circuit protective device		Fuse 4 A gG
Rated conditional short-circuit current		400 A
Max. contact resistance		25 mOhm (unused)

Mechanical data		
Enclosure		Thermoplastic, glass fibre reinforced (UL 94-V0)
Cover		Thermoplastic, glass fibre reinforced (UL 94-V0)
Actuating force	F_B	$10\text{ N} \leq F_B \leq 30\text{ N}$
Operating temperature		$-30\text{ °C} \dots +75\text{ °C}$
Storage temperature		$-40\text{ °C} \dots +80\text{ °C}$
Protection type		IP66 / IP67 acc. EN 60529
Pollution degree (built-in switch)		3
Contact material		silver
Device Class (built-in switch)		Category E (MC3+CC2+SC1) acc. EN 60947-1 annex Q
Contact type		2 N.O. (Form Zb)
Operating rate	V	$0,06\text{ m/min} \leq V \leq 30\text{ m/min}$
Bounce duration	ms	$< 3\text{ ms}$
Switchover time	ms	$< 8\text{ ms}$
Switching frequency		$\leq 60 / \text{min.}$
Mechanical life		15×10^6 operating cycles
Mission time		≤ 20 years
Connection		Connector M12x1, A-coded
Conductor cross-sections		Solid or Litz wire with ferrules $0,34\text{ mm}^2 - 1,5\text{ mm}^2$; AWG 22-16
Cable entrance		$1 \times \text{M}20 \times 1,5$
Weight		$\approx 0,06\text{ kg}$
Installation position		operator definable

Standards
DIN EN 60947-5-1
UL 508 / CSA C22.2 No.14

EU Conformity
acc. to directive 2014/35/EU (Low-Voltage-Directive)

Approvals
CCC (AC 15, U_e/I_e 240 V / 1,5 A; DC 13, U_e/I_e 24 V / 1,5 A)

Notes
<p>The degree of protection specified (IP code) applies only to a properly closed cover and the use of an equivalent connector. The connector and the cable (fix or flexible mounted) must at least be suitable for the described ambient air temperatures. The connector must not be connected or disconnected when voltage is applied. The mechanical life of the connector is 100 connection cycles.</p> <p>The information on the switching travel can be found in the data sheets of the actuator, as these depend on the actuator used.</p> <p>Approvals / properties applies only to the fully assembled device.</p>