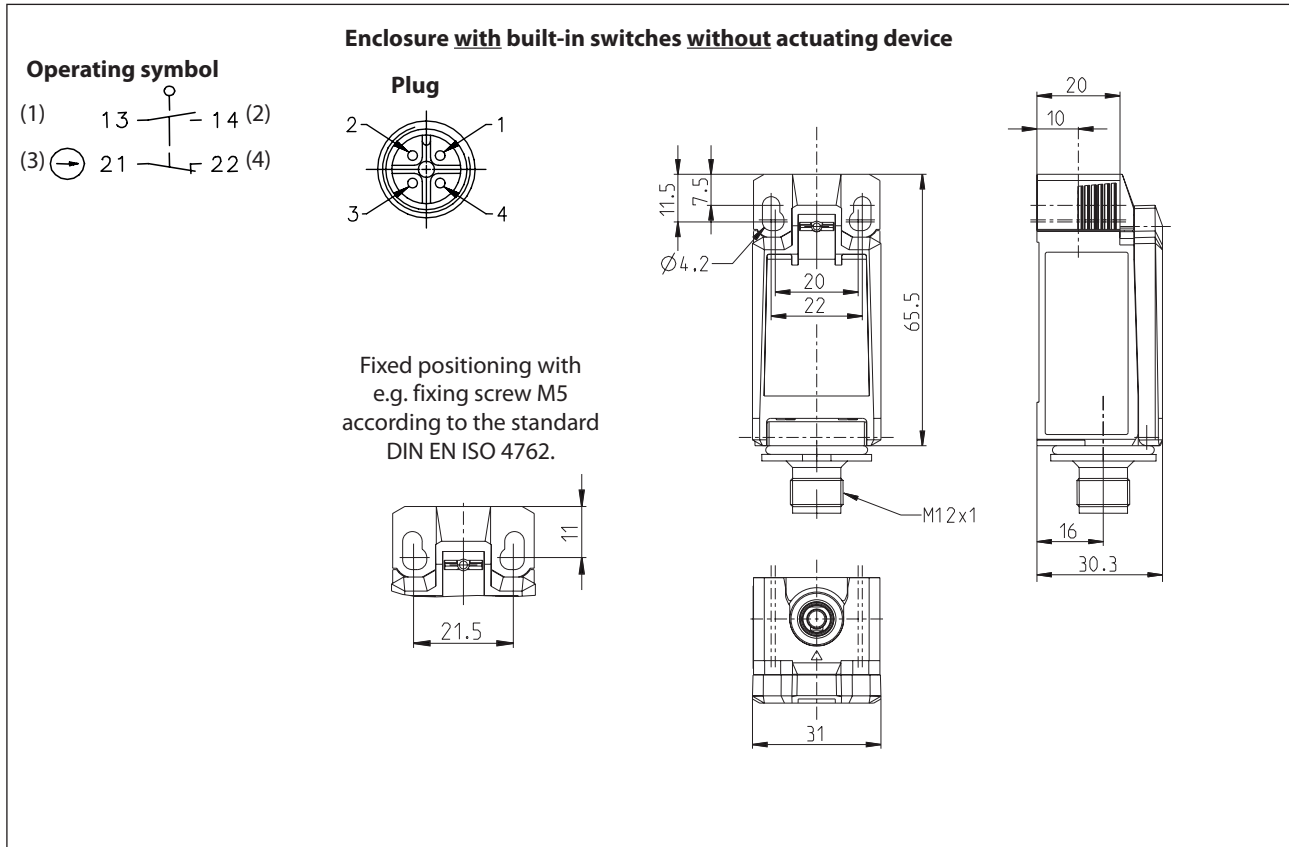


## Plastic bodied limit switch Series IN65-modular system

Description **IN65-SU1Z M12**

Article number **6083000293**



| Electrical Data                         |           |  |
|---|-----------|--|
| Rated insulation voltage                | $U_i$     | 250 V  |
| Rated impulse withstand voltage         | $U_{imp}$ | 2,5 kV   |
| Rated operational voltage               | $U_e$     | 240 V AC   |
| Rated supply frequency AC               |           | 50 / 60 Hz   |
| Overvoltage category                    |           | II acc. EN 60947-1 annex H table H1                        |
| Conv. thermal current                   | $I_{the}$ | 4 A  |
| Minimum current                         |           | 1 mA   |
| Utilization category                    |           | AC 15, $U_e/I_e$ 240 V / 3 A                               |
| Direct opening action                   |           | acc. IEC/EN 60947-5-1, annex K; direct opening force: 33 N |
| Short-circuit protective device         |           | Fuse 4 A gG  |
| Rated conditional short-circuit current |           | 400 A  |
| Max. contact resistance                 |           | 25 mOhm (unused)   |

| Mechanical data                    |   |
|------------------------------------|---|
| Enclosure                          | Thermoplastic, glass fibre reinforced (UL 94-V0)  |
| Cover                              | Thermoplastic, glass fibre reinforced (UL 94-V0)  |
| Actuating force                    | $F_B$ 10 N $\leq F_B \leq$ 30 N   |
| Operating temperature              | -30 °C ... +75 °C   |
| Storage temperature                | -40 °C ... +80 °C   |
| Protection type                    | IP66 / IP67 acc. EN 60529   |
| Pollution degree (built-in switch) | 3   |
| Contact material                   | silver  |
| Device Class (built-in switch)     | Category E (MC3+CC2+SC1) acc. EN 60947-1 annex Q  |
| Contact type                       | 1 N.C. (Form Zb), 1 N.O.  |
| Operating rate                     | $V$ 0,06 m/min $\leq V \leq$ 30 m/min   |
| Bounce duration                    | ms < 3 ms   |
| Switchover time                    | ms < 8 ms   |
| Switching frequency                | $\leq$ 60 / min.  |
| Mechanical life                    | 15 x 10 <sup>6</sup> operating cycles   |
| Mission time                       | $\leq$ 20 years   |
| Connection                         | Connector M12x1, A-coded  |
| Conductor cross-sections           | Solid or Litz wire with ferrules 0,34 mm <sup>2</sup> - 1,5 mm <sup>2</sup> ; AWG 22-16 |
| Cable entrance                     | 1 x M20 x1,5  |
| Weight                             | $\approx$ 0,06 kg   |
| Installation position              | operator definable  |

| ID for safety engineering |                             |
|---------------------------|-----------------------------|
| B10d N.C.                 | 20 x 10 <sup>6</sup> cycles |
| B10d N.O.                 | 1 x 10 <sup>6</sup> cycles  |

| Standards |                          |
|-----------|--------------------------|
|           | DIN EN 60947-5-1         |
|           | UL 508 / CSA C22.2 No.14 |
|           | DIN EN ISO 13849-1       |

| EC Conformity |  |
|---------------|--|
|               | acc. to directive 2006/42/EC (Safety-of-Machinery-Directive) |

| Approvals |   |
|-----------|---|
|           | CCC (AC 15, U <sub>e</sub> /I <sub>e</sub> 240 V / 1,5 A; DC 13, U <sub>e</sub> /I <sub>e</sub> 24 V / 1,5 A) |
|           | cCSA <sub>US</sub> B300, 240Vac 1.5A G.P., 24Vdc 1.5A R. Enclosure Type 4X                                    |

| Notes   |  |
|---|--|
| <p>The degree of protection specified (IP code) applies only to a properly closed cover and the use of an equivalent connector. The connector and the cable (fix or flexible mounted) must at least be suitable for the described ambient air temperatures. The connector must not be connected or disconnected when voltage is applied. The mechanical life of the connector is 100 connection cycles.</p> <p>The information on the switching travel can be found in the data sheets of the actuator, as these depend on the actuator used.</p> <p>Approvals / properties applies only to the fully assembled device.</p> |  |