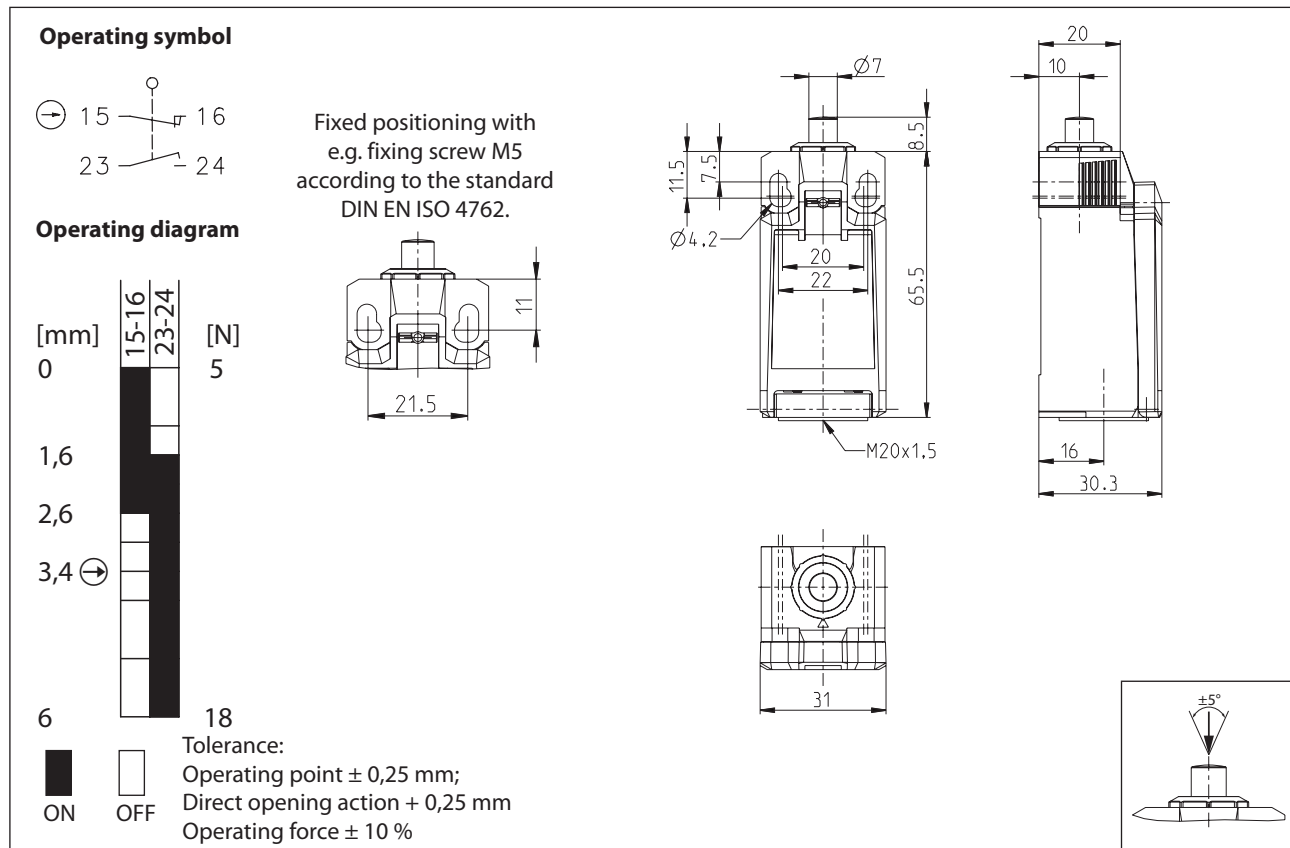


Plastic bodied limit switch Series IN65

Description **IN65-UV1Z SM**

Article number **6083000213**



Electrical Data

Rated insulation voltage	U_i	400 V
Rated impulse withstand voltage	U_{imp}	4 kV
Rated operational voltage	U_e	240 V AC / 24 V DC
Rated supply frequency AC		50 / 60 Hz
Overvoltage category		II acc. EN 60947-1 annex H table H1
Conv. thermal current	I_{the}	5 A
Minimum current		1 mA
Utilization category		AC 15, U_e/I_e 240 V / 3 A DC 13, U_e/I_e 24 V / 1,5 A
Direct opening action	\ominus	acc. IEC/EN 60947-5-1, annex K; direct opening force: 24 N
Short-circuit protective device		Fuse 4 A gG
Rated conditional short-circuit current		400 A
Max. contact resistance		25 mOhm (unused)

Mechanical data	
Enclosure	Thermoplastic, glass fibre reinforced (UL 94-V0)
Cover	Thermoplastic, glass fibre reinforced (UL 94-V0)
Actuator	Plunger (Steel, nickel)
Actuating force	F_B $10\text{ N} \leq F_B \leq 30\text{ N}$
Operating temperature	-30 °C ... +75 °C
Storage temperature	-40 °C ... +80 °C
Protection type	IP66 / IP67 acc. EN 60529
Pollution degree (built-in switch)	3
Contact material	silver
Device Class (built-in switch)	Category E (MC3+CC2+SC1) acc. EN 60947-1 annex Q
Contact type	1 N.C. (Form Zb), 1 N.O.
Isolating distance	4 mm (2x2 mm)
Operating rate	V $0,06\text{ m/min} \leq V \leq 30\text{ m/min}$
Bounce duration	ms The value depends on the operating rate.
Switchover time	ms The value depends on the operating rate.
Switching frequency	$\leq 60 / \text{min.}$
Mechanical life	30×10^6 operating cycles
Mission time	≤ 20 years
Connection	4 screw connections (M3)
Conductor cross-sections	Solid or Litz wire with ferrules $0,34\text{ mm}^2 - 1,5\text{ mm}^2$; AWG 22-16
Cable entrance	1 x M20 x1,5
Weight	$\approx 0,07\text{ kg}$
Installation position	operator definable

Actuation
The push bolt actuator is mainly intended to be actuated along its axis.

ID for safety engineering
B10d N.C. 20×10^6 cycles
B10d N.O. 1×10^6 cycles

Standards
DIN EN 60947-5-1
UL 508 / CSA C22.2 No.14
DIN EN ISO 13849-1
EN81-20
EN81-50

EU Conformity
acc. to directive 2006/42/EC (Safety-of-Machinery-Directive)

Approvals
DGUV (AC 15, U_e/I_e 240 V / 1,5 A; DC 13, U_e/I_e 24 V / 1,5 A)
CCC (AC 15, U_e/I_e 240 V / 1,5 A; DC 13, U_e/I_e 24 V / 1,5 A)
cCSA _{US} B300, 240Vac 1.5A G.P., 24Vdc 1.5A R. Enclosure Type 4X
TÜV SÜD (AC 15, U_e/I_e 240 V / 1,5 A; DC 13, U_e/I_e 24 V / 1,5 A)

Notes

The degree of protection (IP code) specified applies solely to a property closed cover and the use of an equivalent cable gland with adequate cable.