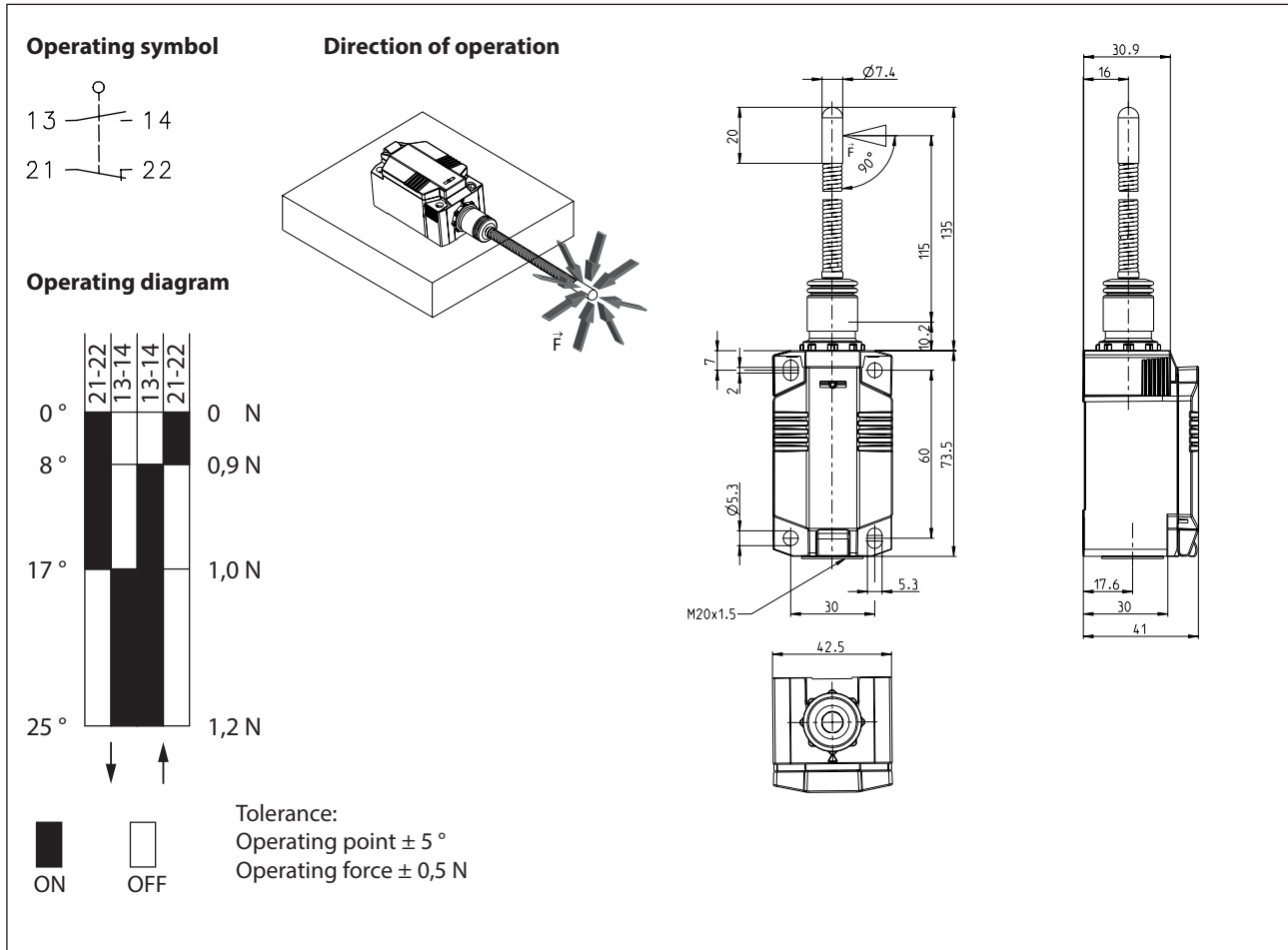


## Plastic bodied limit switch Series IN73

Description **IN73-S11 FF**

Article number **6081000138**



### Electrical Data

Rated insulation voltage	$U_i$	400 V
Rated impulse withstand voltage	$U_{imp}$	4 kV
Rated operational voltage	$U_e$	240 V <sub>AC</sub> / 24 V <sub>DC</sub>
Rated supply frequency AC		50 / 60 Hz
Overvoltage category		II acc. EN 60947-1 annex H table H1
Conv. thermal current	$I_{the}$	5 A
Minimum current		1 mA
Utilization category		AC 15, $U_e/I_e$ 240 V / 3 A; DC 13, $U_e/I_e$ 24 V / 1,5 A
Short-circuit protective device		Fuse 4 A gG
Rated conditional short-circuit current		400 A
Protection class		II, totally insulated

Mechanical data	
Enclosure	Thermoplastic, glass fibre reinforced (UL 94-V0)
Cover	Thermoplastic, glass fibre reinforced (UL 94-V0)
Actuator	Wobble stick with plastic slide
Operating temperature	-30 °C ... +75 °C
Storage temperature	-40 °C ... +80 °C
Protection type	IP66 / IP67 acc. EN 60529, Type 4X – Indoor Use only
Pollution degree (built-in switch)	3
Contact material	silver
Device Class (built-in switch)	Category E (MC3+CC2+SC1) acc. EN 60947-1 annex Q
Contact type	1 N.C. (Form Zb), 1 N.O.
Bounce duration	ms < 3 ms
Switchover time	ms < 8 ms
Switching frequency	≤ 60 / min.
Mechanical life	tbd
Mission time	≤ 20 years
Connection	4 screw connections (M3)
Conductor cross-sections	0,34 mm <sup>2</sup> - 1,5 mm <sup>2</sup> ; AWG 22-16 (Solid or Litz wire with ferrules)
Cable entrance	1 x M20 x1,5
Weight	≈ 0,15 kg
Installation position	operator definable

Actuation
The push bolt actuator is mainly intended to be actuated along its axis.

Standards
DIN EN 60947-5-1
UL 508 / CSA C22.2 No.14

EU Conformity
acc. to directive 2014/35/EU (Low-Voltage-Directive)

Notes
The degree of protection (IP code) specified applies solely to a property closed cover and the use of an equivalent cable gland with adequate cable.